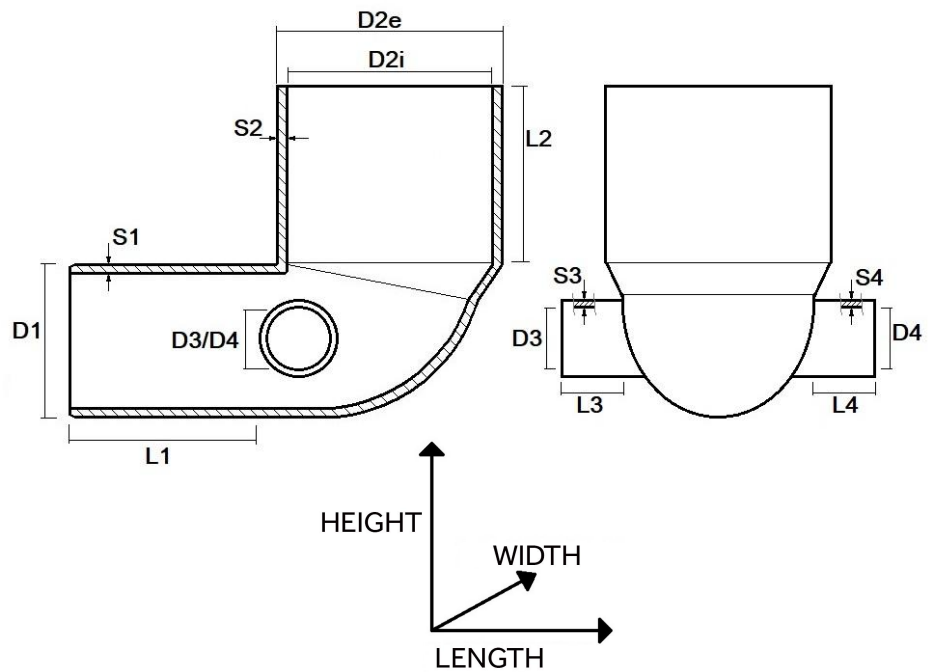


# DATA SHEET

## Completion range building fittings - Deep WC bend with 2 side connections -



CWCS1402



REFERENCE REGULATIONS: UNI EN 1329-1:2021

Item	D1 (M) mm	D2 I mm	D2e mm	D3=D4 (F) mm	L1 (M) mm	L2 mm	L3=L4 (F) mm	S1 (M) mm	S2 mm	S3=S4 (F) mm	LENGTH mm	WIDTH mm	HEIGHT mm	WEIGHT g
<b>CWCS1402</b>	100,0	115,5	121,5	40,4	97	112	25	2,9	2,7	3,0	241	153	212	454
<b>CWCS1502</b>	100,0	115,5	121,5	50,4	97	112	25	2,9	2,7	3,0	241	153	212	452

**Material:** PVC-U

**Colour:** Orange RAL 2008

**Features:** The range of solvent cement fittings produced by First Plast, is made of U-PVC in compliance with UNI EN1329-1:2021 standards, relating to high and low temperature drainage for building indoor applications.



FIRST PLAST S.r.l.  
Località Isola Grande  
17041 ALTARE (SV) - ITALIA  
Tel. +39 019 58511  
Email: export.first@firstcor.com



**FIRST**  
CORPORATION