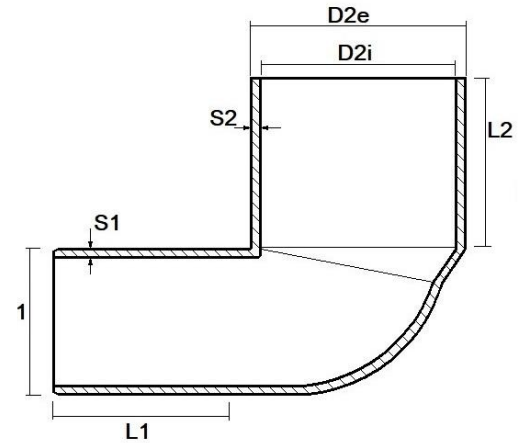
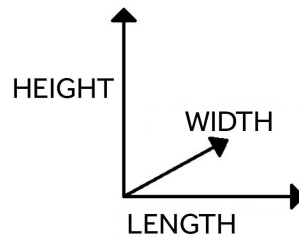


## Completion range building fittings - Deep WC bend -



CWCS10



REFERENCE REGULATIONS: UNI EN 1329-1:2021

Item	D1 (M) mm	D2 I mm	D2e mm	L1 (M) mm	L2 mm	S1 (M mm)	S2 mm	LENGTH mm	WIDTH mm	HEIGHT mm	WEIGHT g
<b>CWCS10</b>	100,0	115,5	121,5	97	112	2,9	2,7	241	122	212	430

**Material:** PVC-U

**Colour:** Orange RAL 2008

**Features:** The range of solvent cement fittings produced by First Plast, is made of U-PVC in compliance with UNI EN1329-1:2021 standards, relating to high and low temperature drainage for building indoor applications.

