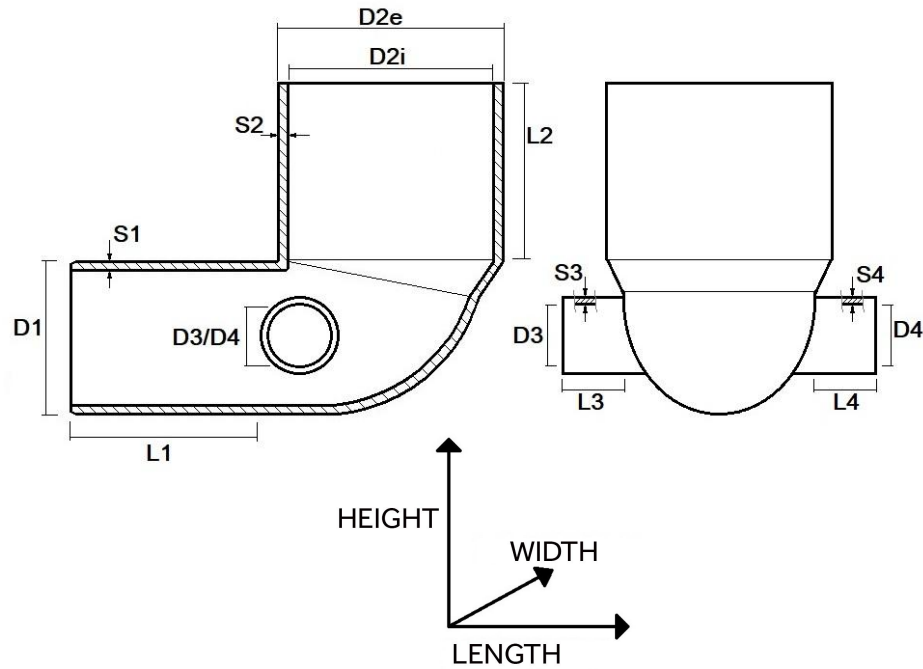


DATA SHEET

Completion range building fittings - Shallow WC bend with 2 side connections -



CWCBS1402



REFERENCE REGULATIONS: UNI EN 1329-1:2021

Item	D1 (M) mm	D2 I mm	D2e mm	D3=D 4 (F) mm	L1 (M) m	L2 mm	L3=L4 (F) mm	S1 (M) mm	S2 mm	S3=S4 (F) mm	LENG TH mm	WIDT H mm	HEIG HT mm	WEIG HT g
CWCBS1402	100,0	115,5	121,5	40,4	97	54	25	2,9	2,7	3,0	241	153	156	370
CWCBS1502	100,0	115,5	121,5	50,4	97	54	25	2,9	2,7	3,0	241	153	156	366

Material: PVC-U

Colour: Orange RAL 2008

Features: The range of solvent cement fittings produced by First Plast, is made of U-PVC in compliance with UNI EN1329-1:2021 standards, relating to high and low temperature drainage for building indoor applications.



FIRST PLAST S.r.l.
Località Isola Grande
17041 ALTARE (SV) - ITALIA
Tel. +39 019 58511
Email: export.first@firstcor.com



FIRST
CORPORATION