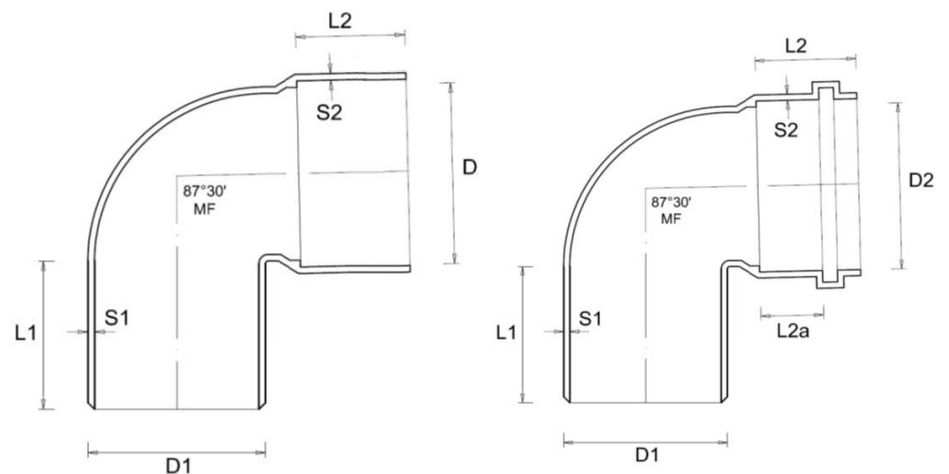
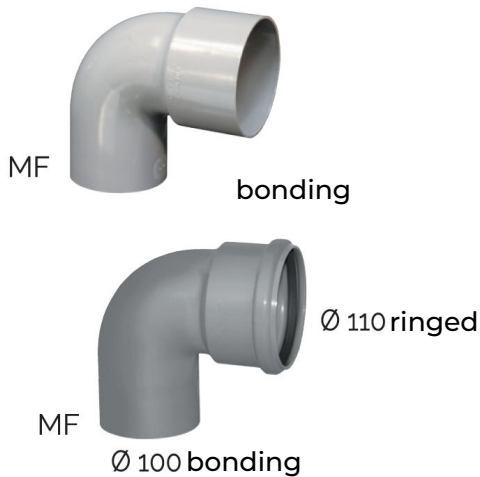


Reduced bend 87° 30' for plumbing and drainage system **BI-BI KOLL**



CSG87110100

COG87110100

Item	D1(M) mm	D2(F) mm	L1(M) mm	L2(F) mm	L2a(F) mm	S1(M) mm	S2(F) mm	Lenght mm	Width mm	H mm	Weight g
CSG87110100	100,0	110,6	66	66	-	3,0	2,4	193	116	180	285
COG87110100	100,0	111,0	66	63	40	3,0	2,4	190	128	186	304

Material: PVC-U

Colour: Dark Grey RAL 7037

Features: The products of the plumbing and drainage fittings line are made in compliance with the requirements prescribed by the UNI EN 1329-1:2021 standard relating to low and high temperature drainage systems within the structure of buildings.

