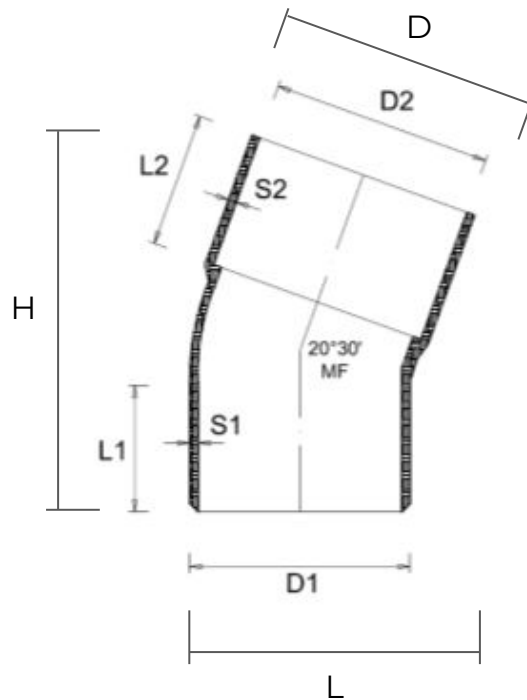


## Bend 22° 30' MF for plumbing and drainage system **BI-BI KOLL**



Item	D1 (M) mm	D2 (F) mm	L1 (M) mm	L2 (F) mm	S1 (M) mm	S2 (F) mm	L mm	D mm	H mm	Weight g	NF norm
<b>CSG22050</b>	50,0	50,4	39	32	3	2,3	66	56	97	54	Me
<b>CSG22100</b>	100,0	100,5	65	57	3,1	2,7	128	100	169	198	Me

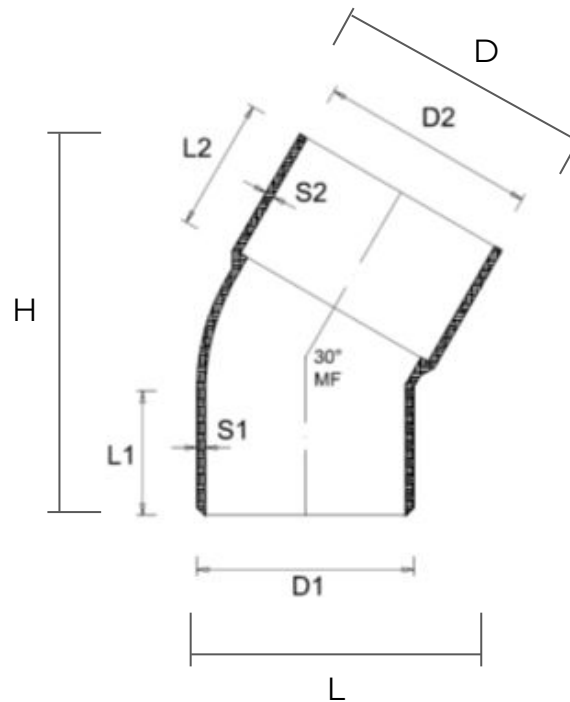
**Material:** PVC-U

**Colour:** Dark Grey RAL 7037

**Features:** The products of the plumbing and drainage fittings line are made in compliance with the requirements prescribed by the UNI EN 1329-1:2021 standard relating to low and high temperature drainage systems within the structure of buildings. The material complies with the AFNOR NF513 (Sécurité Feu) regulation certified by LNE.



## Bend 30° MF for plumbing and drainage system **BI-BI KOLL**



Item	D1 (M) mm	D2 (F) mm	L1 (M) mm	L2 (F) mm	S1 (M) mm	S2 (F) mm	L mm	D mm	H mm	Weight g	NF norm
<b>CSG30100</b>	100,0	100,5	66	57	3,1	2,7	136	106	178	208	Me

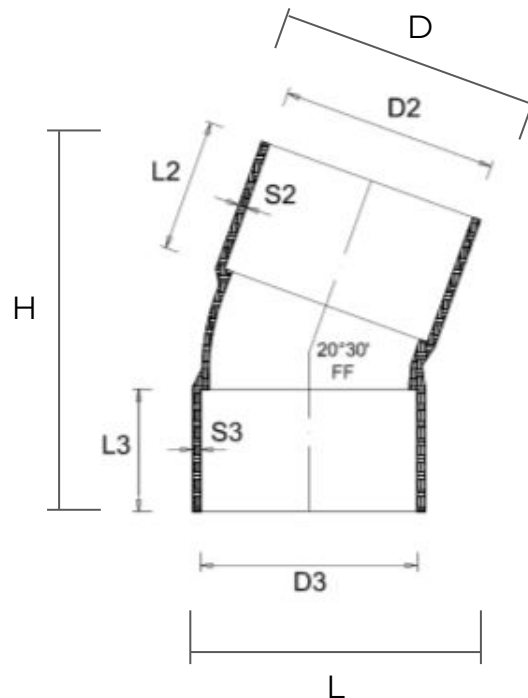
**Material:** PVC-U

**Colour:** Dark Grey RAL 7037

**Features:** The products of the plumbing and drainage fittings line are made in compliance with the requirements prescribed by the UNI EN 1329-1:2021 standard relating to low and high temperature drainage systems within the structure of buildings. The material complies with the AFNOR NF513 (Sécurité Feu) regulation certified by LNE.



## Bend 22° 30' FF for plumbing and drainage system **BI-BI KOLL**



Item	D3 mm	D2 mm	L3 mm	L2 mm	S3 mm	S2 mm	L mm	D mm	H mm	Weight g	NF norm
<b>CSG22050F</b>	50,4	50,4	32	32	2,3	2,3	69	56	97	54	Me
<b>CSG22100F</b>	100,5	100,5	57	57	2,7	2,7	130	106	170	200	Me

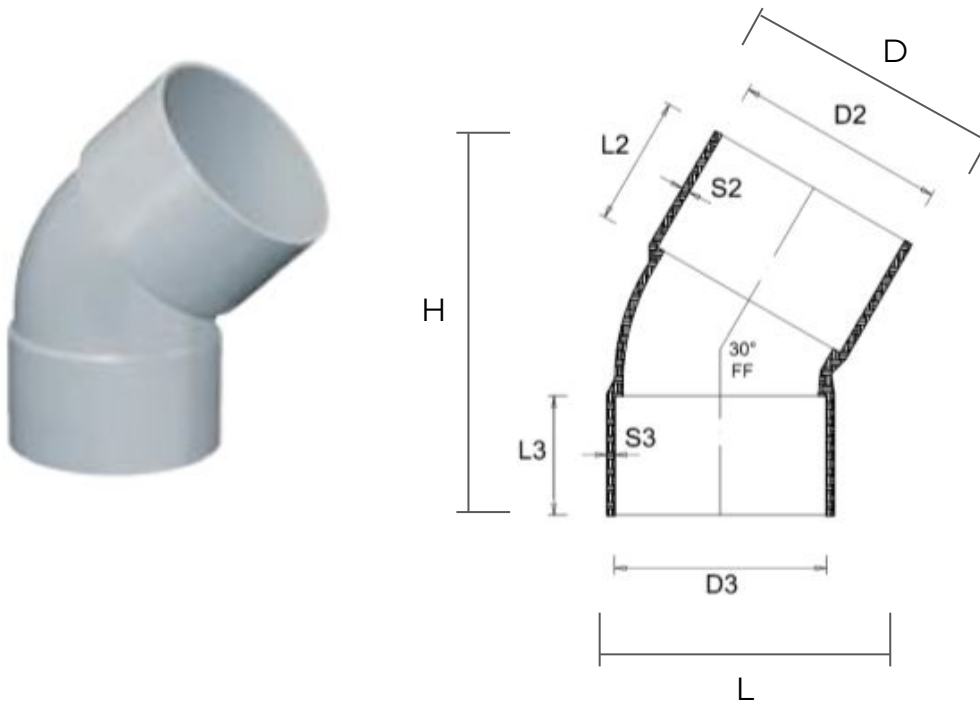
**Material:** PVC-U

**Colour:** Dark Grey RAL 7037

**Features:** The products of the plumbing and drainage fittings line are made in compliance with the requirements prescribed by the UNI EN 1329-1:2021 standard relating to low and high temperature drainage systems within the structure of buildings. The material complies with the AFNOR NF513 (Sécurité Feu) regulation certified by LNE.



## Bend 30° FF for plumbing and drainage system **BI-BI KOLL**



Item	D3 mm	D2 mm	L3 mm	L2 mm	S3 mm	S2 mm	L mm	D mm	H mm	Weight g	NF norm
<b>CSG30100F</b>	100,5	100,5	57	57	2,7	2,7	139	106	178	208	Me

**Material:** PVC-U

**Colour:** Dark Grey RAL 7037

**Features:** The products of the plumbing and drainage fittings line are made in compliance with the requirements prescribed by the UNI EN 1329-1:2021 standard relating to low and high temperature drainage systems within the structure of buildings. The material complies with the AFNOR NF513 (Sécurité Feu) regulation certified by LNE.

