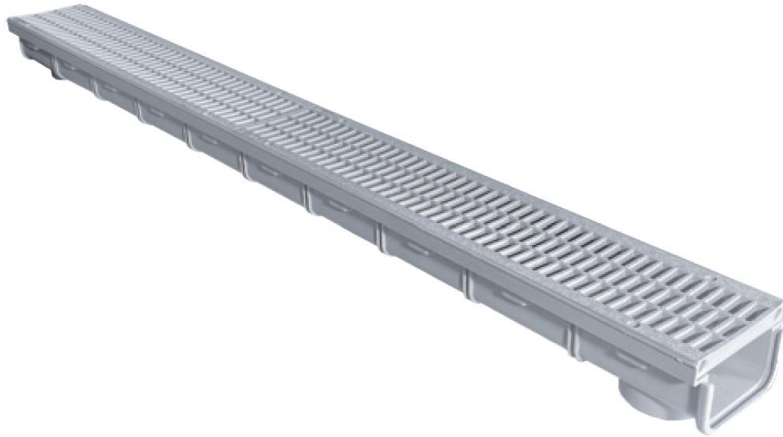


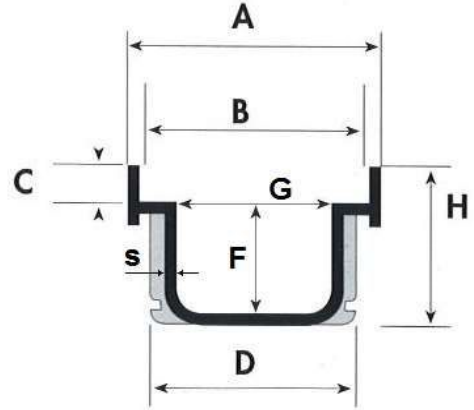
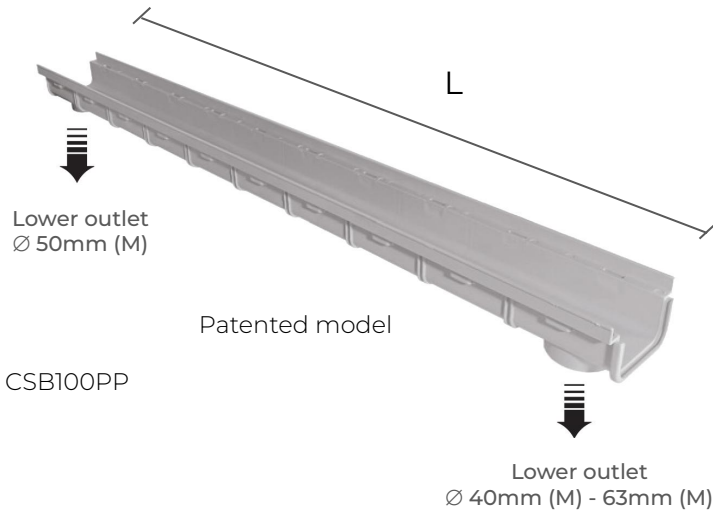
## Shallow gridded channel 100 **PRATIKO EASY**



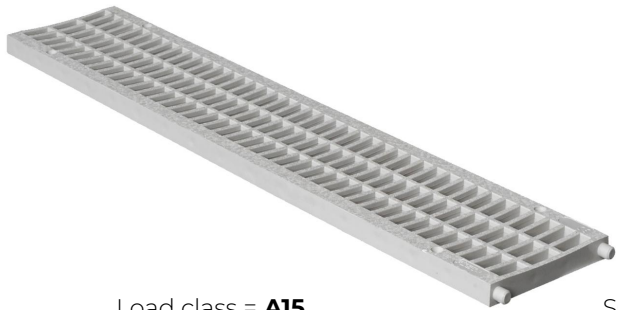
CSBSGR100PP

<b>Item</b>
<b>CSBSGR100PP</b>

The item **CSBSGR100PP** is composed of the following products:  
 n. 1 = CSB100PP  
 n. 2 = SGR100PP

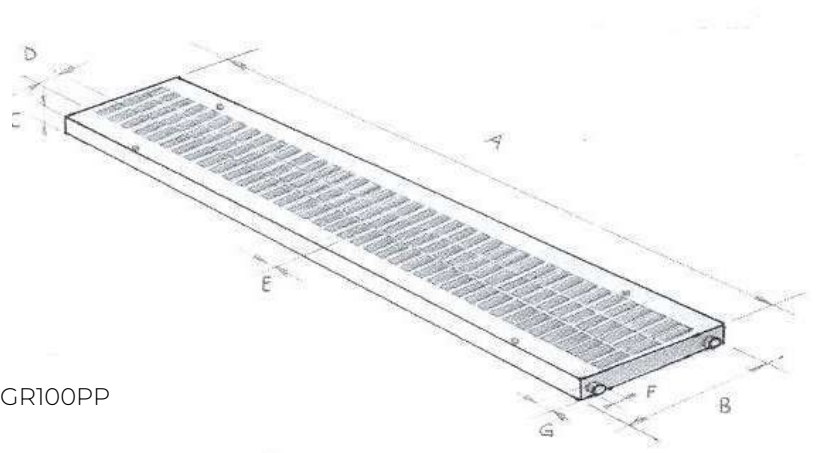


Item	A mm	B mm	C mm	D mm	E mm	F mm	Ø G mm	H mm	h mm	L mm	S mm
<b>CSB100PP</b>	104	99	13	106	75	38	40M - 50M - 63M	55	18	1000	2,4



Load class = **A15**

SGR100PP



Item	A mm	B mm	C mm	D mm	E mm	ø F mm	G mm	Weight g
<b>SGR100PP</b>	500	99	13	23	8	7,5	8	320

**Material:** CSB100PP "Polypropylene" - SGR100PP "Polypropylene"

**Features:** The channels allow you to solve all rainwater drainage problems within car parks, courtyards, yards and garages.

