

Shallow grilled channel 100 **PRATIKO EASY**

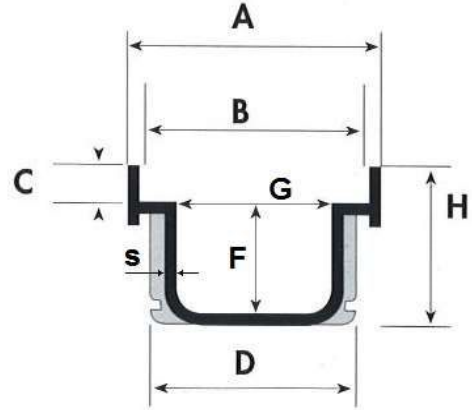
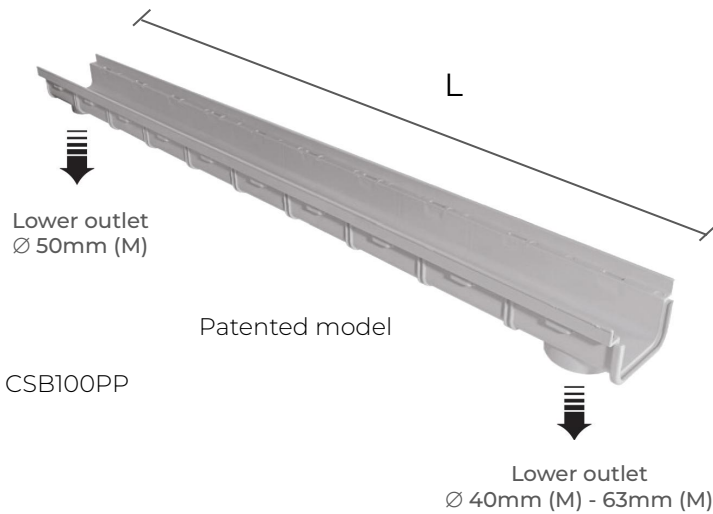


CSBGSZ10999PP

Item
CSBGSZ10999PP

The item **CSBGSZ10999PP** is composed of the following products:

- n. 1 = CSB100PP
- n. 1 = GSZ10999



Item	A mm	B mm	C mm	D mm	E mm	F mm	Ø G mm	H mm	h mm	L mm	S mm
CSB100PP	104	99	13	106	75	38	40M - 50M - 63M	55	18	1000	2,4



Load class = **A15**

GSZ10999

Description	U/M	Item
		GSZ10999
Weight	g	990
Length "L"	mm	998 +/-1,0
Total width "M"	mm	99 +/-1,0
Height "H"	mm	12 +/-1,0
Slot width	mm	7,6
Slot length	mm	83
Distance between slots	mm	27
Distance between edge and anti-slip pads	mm	32
Distance between anti-slip pads	mm	36
Water drainage	cm ²	260

Material: CSB100PP "Polypropylene" - GSZ10999 "Galvanized sheet metal"

Features: The channels allow you to solve all rainwater drainage problems within car parks, courtyards, yards and garages.

