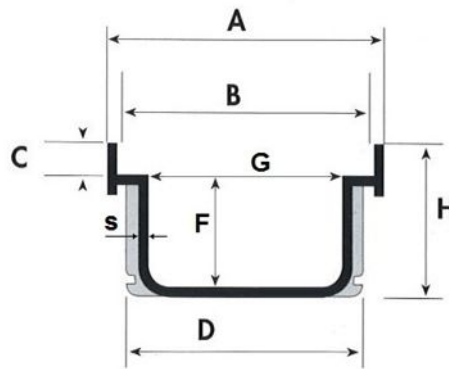
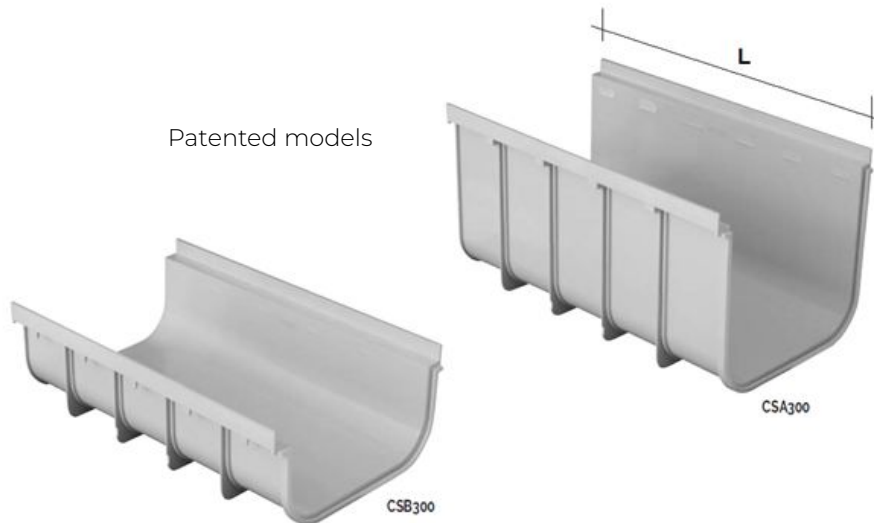


Drainage channel 300 PRATIKO



Item	A mm	B mm	C mm	D mm	F mm	G mm	H mm	L mm	S mm	Weight g
CSB300	311	300	20	270	110	250	140	500	4,5	1800
CSA300	311	300	20	270	230	250	265	500	4,5	2600

Material: PVC-U

Colour: Light grey

Features: The channels solve all rainwater drainage problems within car parks, courtyards, yards and garages. The PRATIKO line channels are patented and with CE marking, in compliance with UNI EN 1433 standard. On the internal walls of the channels there are slots for mounting the BGPs for fixing the grills for which it is intended.

