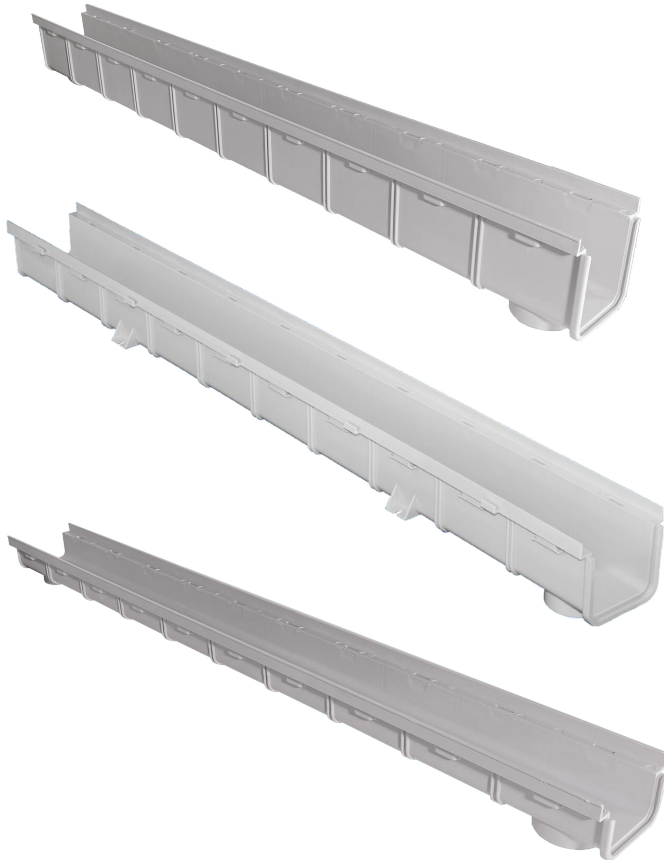


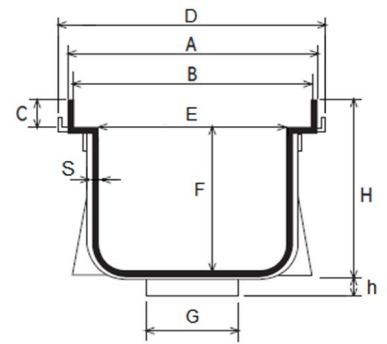
Drainage channel 100 PRATIKO



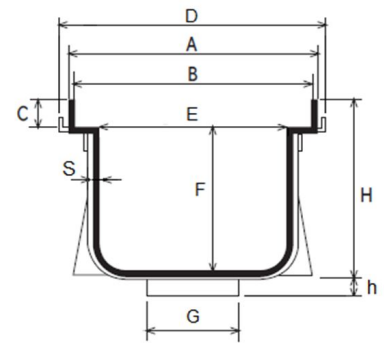
CSA100

CSM100

CSB100



CSA100-CSB100



CSM100

Item	A mm	B mm	C mm	D mm	E mm	F mm	ø G mm	H mm	h mm	L mm	S mm
CSB100	104	99	13	106	75	38	40M - 50M - 63M	55	18	1000	2,4
CSM100	104	99	13	115	75	60	40M - 63M	75	18	1000	2,4
CSA100	104	99	13	106	75	84	40M - 50M - 63M	100	18	1000	2,4

Material: PVC-U

Colour: Grey

Features: The channels solve all rainwater drainage problems within car parks, courtyards, yards and garages. The PRATIKO line channels are patented and with CE marking, in compliance with UNI EN 1433 standard.

