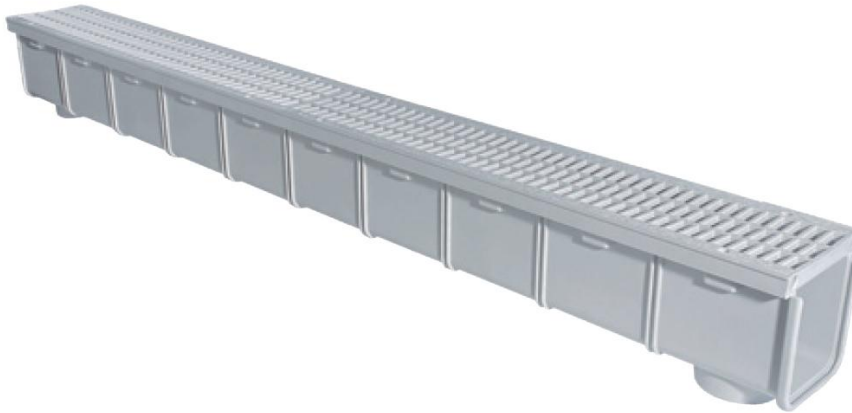


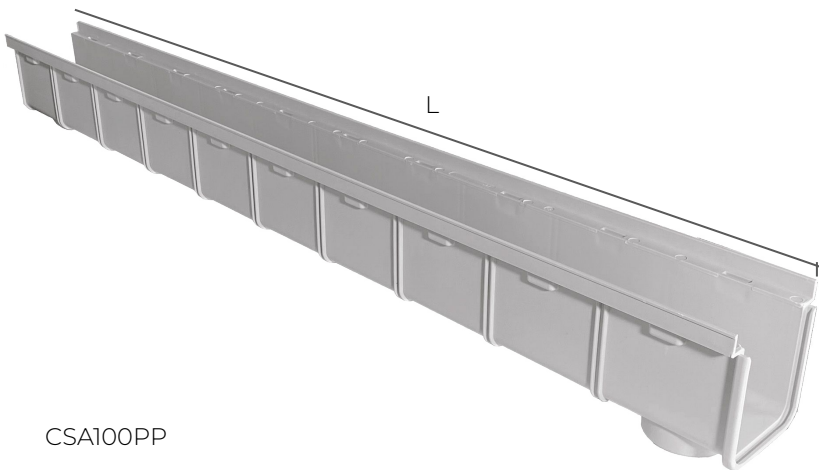
## Deep grilled channel 100 **PRATIKO EASY**



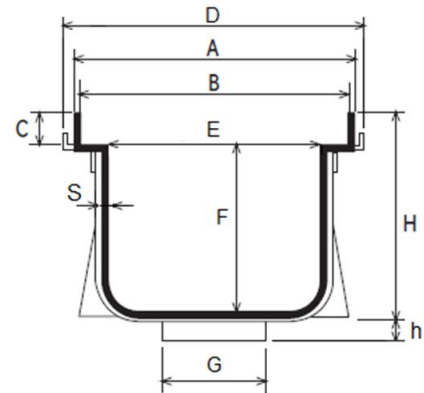
CSASGR100PP

<b>Item</b>
<b>CSASGR100PP</b>

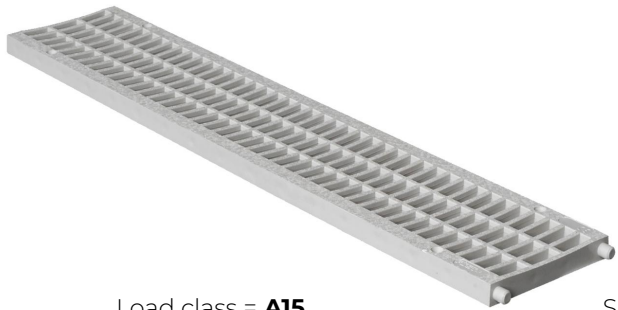
The item **CSASGR100PP** is composed of the following products:  
 n. 1 = CSA100PP  
 n. 2 = SGR100PP



CSA100PP

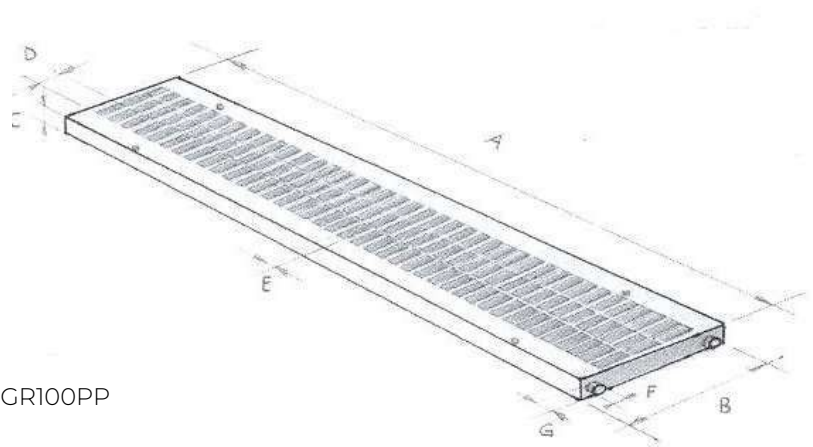


Item	A mm	B mm	C mm	D mm	E mm	F mm	∅ G mm	H mm	h mm	L mm	S mm
<b>CSA100PP</b>	104	99	13	106	75	84	40M - 50M - 63M	100	18	1000	2,4



Load class = **A15**

SGR100PP



Item	A mm	B mm	C mm	D mm	E mm	∅ F mm	G mm	Weight g
<b>SGR100PP</b>	500	99	13	23	8	7,5	8	320

**Material:** CSA100PP "Polypropylene" - SGR100PP Polypropylene

**Features:** The channels allow you to solve all rainwater drainage problems within car parks, courtyards, yards and garages.

