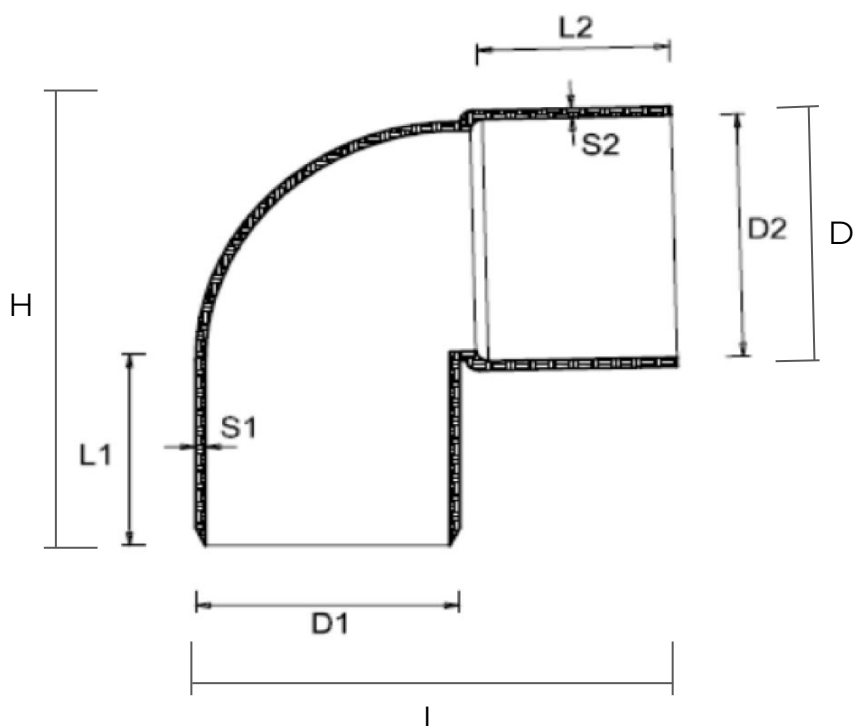


Bend 87° 30'
for gutter down pipes 80x80



CQGN887



Item	Colour	D1 mm	D2 mm	L1 mm	L2 mm	S1 mm	S2 mm	L mm	D mm	H mm	Weight g
CQGN887	grey	80	80,6	61	59	3,1	3,1	146	88	148	254
CUQM887	brown	80	80,6	61	59	3,1	3,1	146	88	148	254

Material: PVC-U

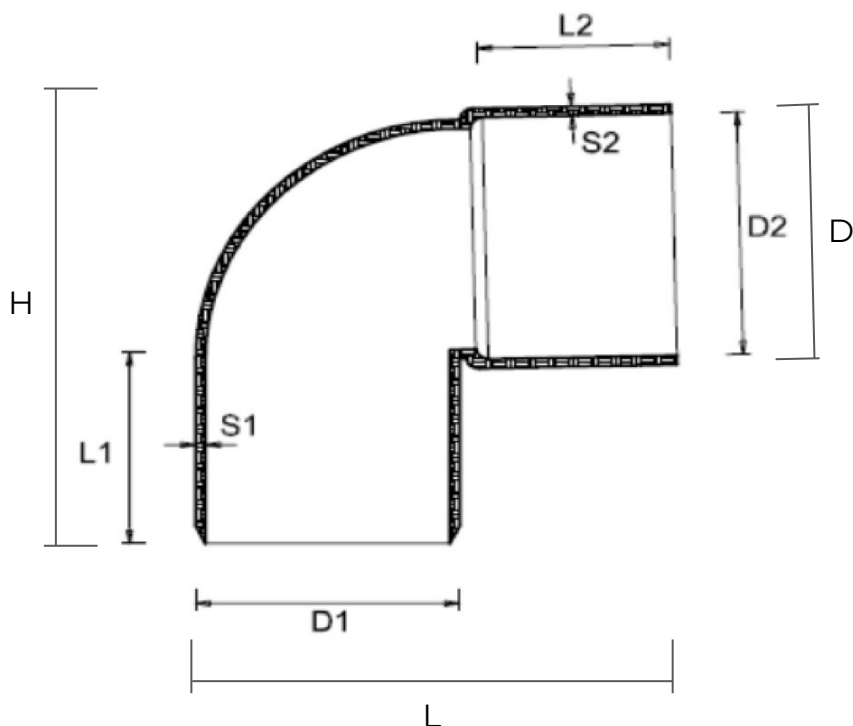
Features: Bend for gutter down pipes made with a high performance production system.



Bend 87° 30' for gutter down pipes 100x100



CQGN187



Item	Colour	D1 mm	D2 mm	L1 mm	L2 mm	S1 mm	S2 mm	L mm	D mm	H mm	Weight g
CQGN187	grey	100	100,6	68	66	3,1	3,3	177	107	175	372
CUQM187	brown	100	100,6	68	66	3,1	3,3	177	107	175	372

Material: PVC-U

Features: Bend for gutter down pipes made with a high performance production system.

