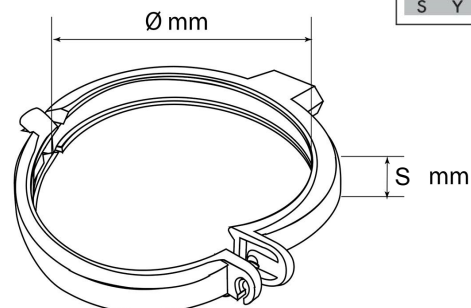
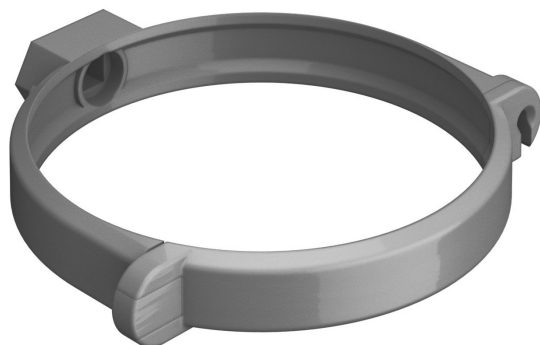
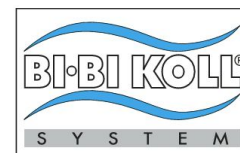


## Pipe-clip for plumbing and drainage pipes and fittings $\varnothing$ 63 **BI-BI KOLL**



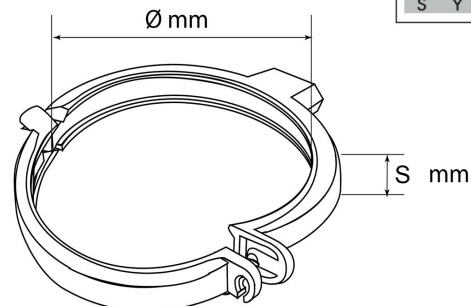
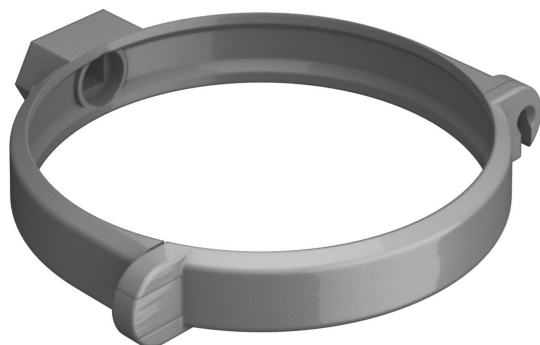
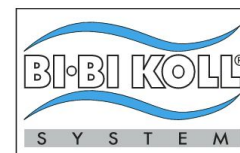
Description	U/M	Item
		CNM63G
Colour	-	dark grey
Weight	g	16
$\varnothing$ Nominal Diameter	mm	63
Max external Width	mm	88
Max external Depth	mm	81
Height	mm	19
Thickness	mm	2,5
Screw (self-threading) Length	mm	16
Screw (self-threading) Diameter $\varnothing$	mm	4
Metal Nut Diameter	-	M6

**Material:** Polypropylene

**Features:** The clip is composed by two parts jointed and fixed by self-threading screw AF 4x16.



## Pipe-clip for plumbing and drainage pipes and fittings $\varnothing$ 75 **BI-BI KOLL**



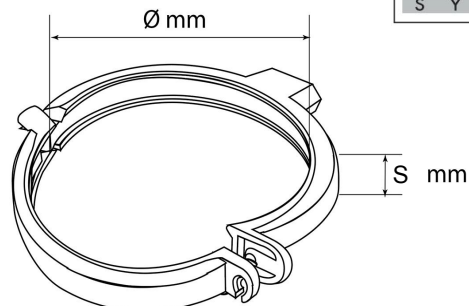
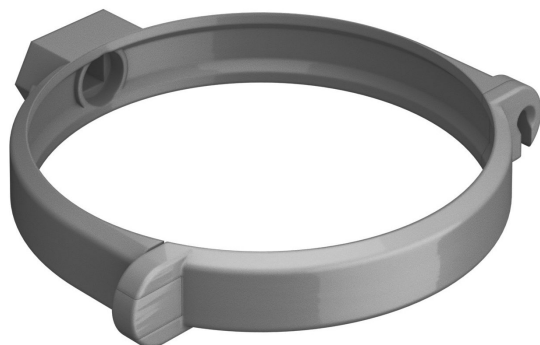
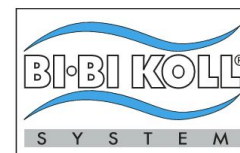
Description	U/M	Item
		CNM75G
Colour	-	dark grey
Weight	g	19
$\varnothing$ Nominal Diameter	mm	75
Max external Width	mm	98
Max external Depth	mm	93
Height	mm	19
Thickness	mm	2,5
Screw (self-threading) Length	mm	16
Screw (self-threading) Diameter $\varnothing$	mm	4
Metal Nut Diameter	-	M6

**Material:** Polypropylene

**Features:** The clip is composed by two parts jointed and fixed by self-threading screw AF 4x16.



## Pipe-clip for plumbing and drainage pipes and fittings $\varnothing$ 80 **BI-BI KOLL**



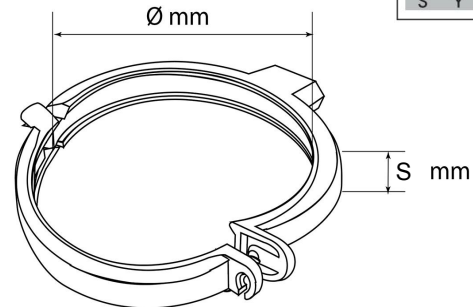
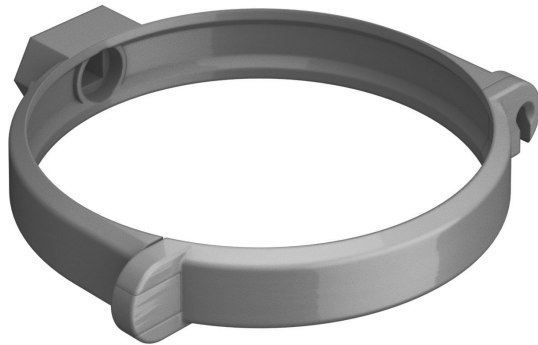
Description	U/M	Item
		<b>CNM80G</b>
Colour	-	dark grey
Weight	g	36
$\varnothing$ Nominal Diameter	mm	80
Max external Width	mm	104
Max external Depth	mm	99
Height	mm	22
Thickness	mm	2,7
Screw (self-threading) Length	mm	18
Screw (self-threading) Diameter $\varnothing$	mm	4
Metal Nut Diameter	-	M6

**Material:** PVC

**Features:** The clip is composed by two parts jointed and fixed by self-threading screw AF 4x18.



## Pipe-clip for plumbing and drainage pipes and fittings $\varnothing$ 90 **BI-BI KOLL**



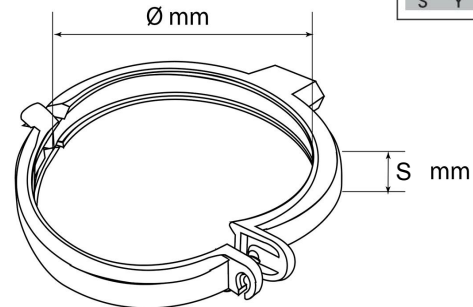
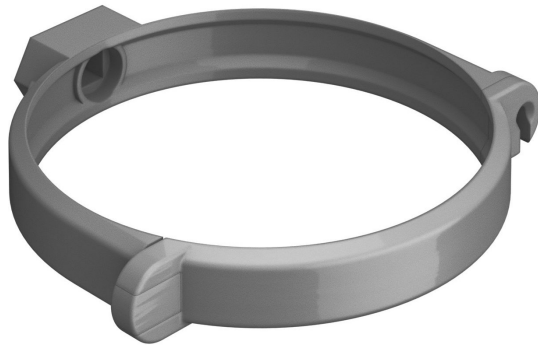
Description	U/M	Item
		<b>CNM90G</b>
Colour	-	dark grey
Weight	g	23
$\varnothing$ Nominal Diameter	mm	90
Max external Width	mm	113
Max external Depth	mm	108
Height	mm	19
Thickness	mm	2,6
Screw (self-threading) Length	mm	18
Screw (self-threading) Diameter $\varnothing$	mm	4
Metal Nut Diameter	-	M6

**Material:** Polypropylene

**Features:** The clip is composed by two parts jointed and fixed by self-threading screw AF 4x16 o 4x18.



## Pipe-clip for plumbing and drainage pipes and fittings $\varnothing$ 100 **BI-BI KOLL**



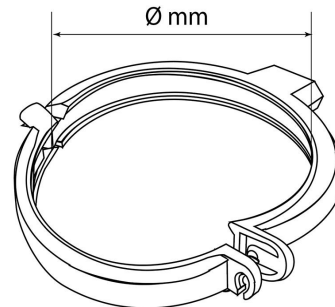
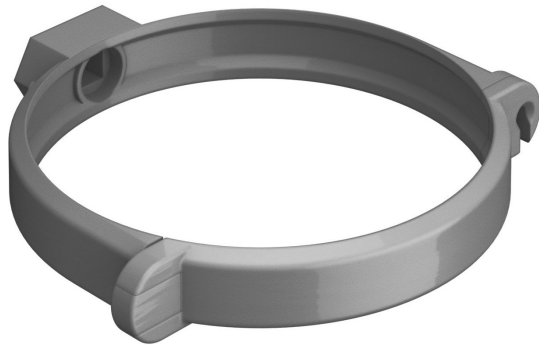
Description	U/M	Item
		<b>CNM10G</b>
Colour	-	dark grey
Weight	g	46
$\varnothing$ Nominal Diameter	mm	100
Max external Width	mm	124
Max external Depth	mm	119
Height	mm	23
Thickness	mm	2,7
Screw (self-threading) Length	mm	18
Screw (self-threading) Diameter $\varnothing$	mm	4
Metal Nut Diameter	-	M6

**Material:** PVC-U

**Features:** The clip is composed by two parts jointed and fixed by self-threading screw AF 4x18.



## Pipe-clip for plumbing and drainage pipes and fittings $\varnothing$ 110 **BI-BI KOLL**



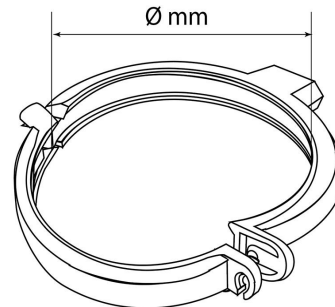
Description	U/M	Item
		CNM11G
Colour	-	dark grey
Weight	g	29
$\varnothing$ Nominal Diameter	mm	110
Max external Width	mm	134
Max external Depth	mm	131
Height	mm	21
Thickness	mm	2,6
Screw (self-threading) Length	mm	16
Screw (self-threading) Diameter $\varnothing$	mm	4
Metal Nut Diameter	-	M6

**Material:** Polypropylene

**Features:** The clip is composed by two parts jointed and fixed by self-threading screw AF 4x16 o 4x18.



## Pipe-clip for plumbing and drainage pipes and fittings $\varnothing$ 125 **BI-BI KOLL**



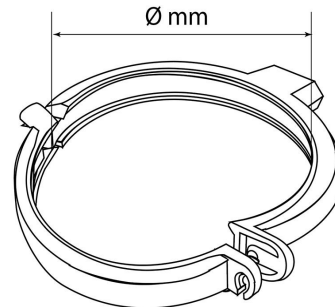
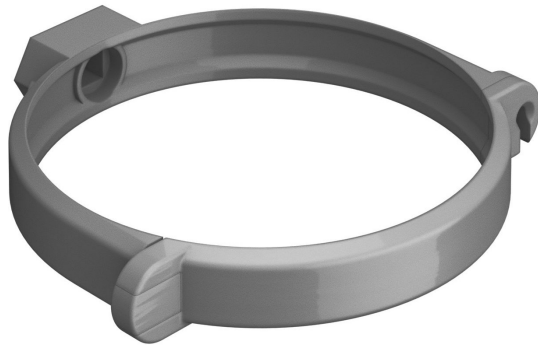
Description	U/M	Item
		CNM12G
Colour	-	dark grey
Weight	g	36
$\varnothing$ Nominal Diameter	mm	125
Max external Width	mm	148
Max external Depth	mm	146
Height	mm	22
Thickness	mm	2,5
Screw (self-threading) Length	mm	16
Screw (self-threading) Diameter $\varnothing$	mm	4
Metal Nut Diameter	-	M6

**Material:** Polypropylene

**Features:** The clip is composed by two parts jointed and fixed by self-threading screw AF 4x16 o 4x18.



## Pipe-clip for plumbing and drainage pipes and fittings $\varnothing$ 140 **BI-BI KOLL**



Description	U/M	Item
		<b>CNM14G</b>
Colour	-	dark grey
Weight	g	53
$\varnothing$ Nominal Diameter	mm	140
Max external Width	mm	172
Max external Depth	mm	165
Height	mm	24
Thickness	mm	3,0
Screw (self-threading) Length	mm	18
Screw (self-threading) Diameter $\varnothing$	mm	4
Metal Nut Diameter	-	M6

**Material:** Polypropylene

**Features:** The clip is composed by two parts jointed and fixed by self-threading screw AF 4x16 o 4x18.

