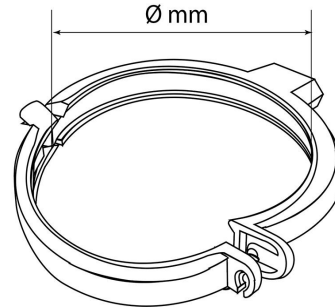


## Pipe-clip for plumbing and drainage pipes and fittings $\varnothing$ 160 **BI-BI KOLL**



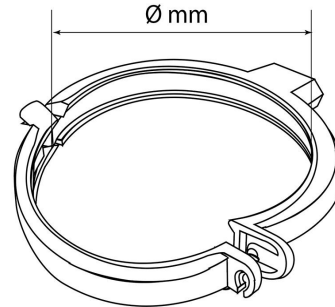
Description	U/M	Item
		<b>CNM16G</b>
Colour	-	dark grey
Weight	g	62
$\varnothing$ Nominal Diameter	mm	160
Max external Width	mm	194
Max external Depth	mm	184
Height	mm	27
Thickness	mm	3,0
Screw (self-threading) Length	mm	18
Screw (self-threading) Diameter $\varnothing$	mm	4
Fixing hole diameter	mm	5,7

**Material:** Polypropylene

**Features:** The collar is made up of two half-collars joined on one side with a joint and on the other with an AF 4x18 screw.  
It is fixed to the wall using through holes with common screws + plugs.



## Pipe-clip for plumbing and drainage pipes and fittings $\varnothing$ 200 **BI-BI KOLL**



Description	U/M	Item
		<b>CNM20G</b>
Colour	-	dark grey
Weight	g	112
$\varnothing$ Nominal Diameter	mm	200
Max external Width	mm	247
Max external Depth	mm	228
Height	mm	30,0
Thickness	mm	3,5
Screw (self-threading) Length	mm	18
Screw (self-threading) Diameter $\varnothing$	mm	4
Fixing hole diameter	mm	5,7

**Material:** Polypropylene

**Features:** The collar is made up of two half-collars joined on one side with a joint and on the other with an AF 4x18 screw.  
It is fixed to the wall using through holes with common screws + plugs.

