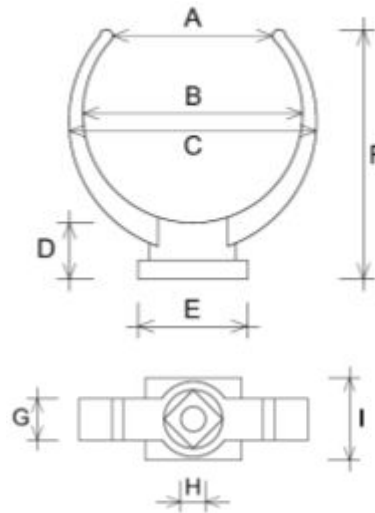


Pipe-clip for plumbing and drainage pipes and fittings **BI-BI KOLL**



Description	U/M	Item		
		CNLM32	CNLM40	CNLM50
Colour	-	dark grey	dark grey	dark grey
Weight	g	9	11	13
Nominal Diameter \varnothing	mm	32	40	50
Min thickness (center of the body)	mm	3,0	3,2	3,3
Max thickness (center of the body)	mm	5,2	5,2	6,0
A - opening width	mm	23	28	35
B - internal diameter	mm	29	37	47
C - external diameter	mm	37	46	56
D - height base	mm	12	11	12
E - base width	mm	23	23	23
F - total height	mm	38	44	54
G - body width	mm	10	10	10
H - Nut diameter	-	M6	M6	M6
I - base length	mm	20	20	20

Material: PVC-U

Features: Pipe-clip for fixing plumbing drainage pipes and fittings.

