

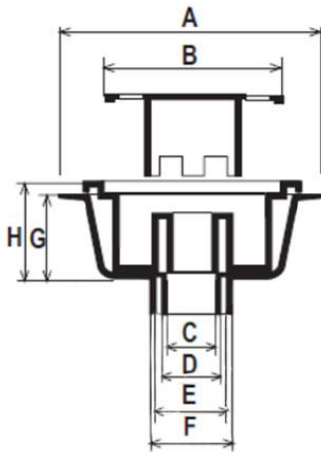
Balcony gully traps



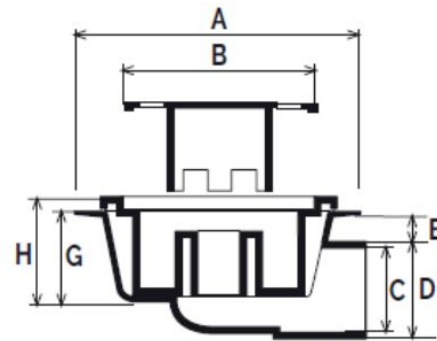
CHPVCBV2011G



CHPVCBO2080G



vertical outlet



horizontal outlet

Item	A mm	B mm	C mm	D mm	E mm	F mm	G mm	H mm	Weight g
CHPVCBV2011G	270	179	75F	80M	100F	110M	85	95	1436
CHPVCBO2080G	270	179	75F	80M	37	-	85	95	1450
CHPVCBO2090G	270	179	80F	90M	32	-	85	95	1530
CHPVCBO2011G	270	179	100F	110M	22	-	85	95	1560

Material: PVC-U

Colour: Light grey

Features: The **CHPVCBV2011G** gully trap is composed of the vent with vertical discharge in which the **CHPVC20G** gully trap is housed, which is in turn composed of two elements, body and grate: the grate is removable for inspection and cleaning.

- "Grate" water passage area = 49 cm²
- Water flow for all models according to standard (UNI EN1253) = 96 lt/min
- Breaking load for all according to standard (UNI EN1253) = 25 kN



Roof gully traps



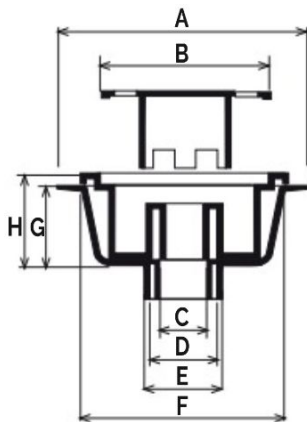
CHPVCPFBV2011G



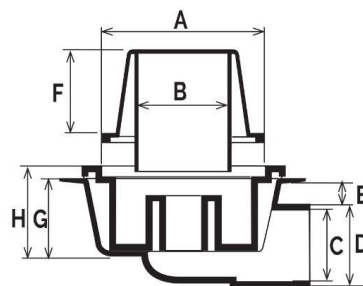
CHPVCPFBO2080G



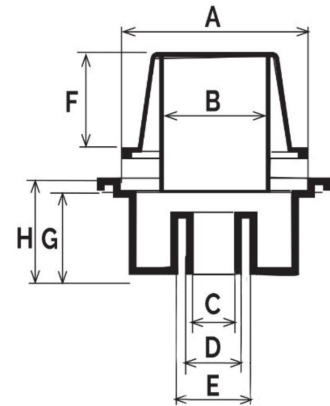
CHPVCPF20G



vertical outlet



horizontal outlet



vertical outlet

Item	A mm	B mm	C mm	D mm	E mm	F mm	G mm	H mm	Weight g
CHPVCPFBV2011G	179	113	75F	80M	100F	110M	85	95	1550
CHPVCPFBO2080G	179	113	75F	80M	37	75	85	95	1560
CHPVCPFBO2090G	179	113	80F	90M	32	75	85	95	1640
CHPVCPFBO2011G	179	113	100F	110M	22	75	85	95	1650
CHPVCPF20G	179	113	63F	75M	90F	75	72	86	1002

Material: PVC-U

Colour: Light grey

Features: The **CHPVCPFBO** models and the **CHPVCPFBV2011G** model are composed of the vent in which the **CHPVCPF20G** gully trap is housed, which is in turn composed of two elements, body and leaf grate grille: the grille is removable for inspection and cleaning.

- **CHPVCF20G** = The article is made up of two elements, body and leaf grate: the grill is removable for inspection and cleaning.

