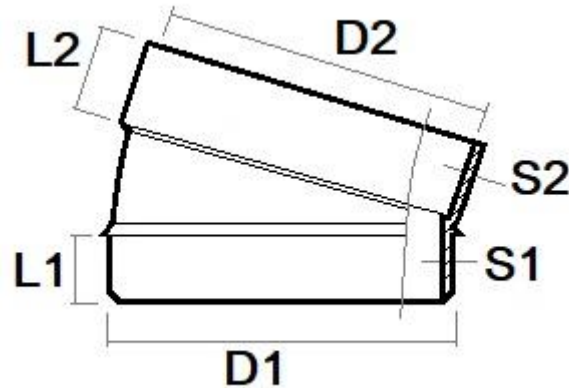


## Segment bend 15° ø 100 for plumbing and drainage system **BI-BI KOLL**



| Item            | D1 (M)<br>mm | D2 (F)<br>mm | L1 (M)<br>mm | L2 (F)<br>mm | S1 (M)<br>mm | S2 (F)<br>mm | Lenght<br>mm | Width<br>mm | Height<br>mm | Weight<br>g | NF<br>norm |
|-----------------|--------------|--------------|--------------|--------------|--------------|--------------|--------------|-------------|--------------|-------------|------------|
| <b>CFG15100</b> | 100,0        | 100,5        | 20           | 20           | 3,0          | 2,4          | 112          | 106         | 72           | 79          | Me         |

**Material:** PVC-U

**Colour:** Dark Grey RAL 7037

**Features:** The products of the plumbing and drainage fittings line are made in compliance with the requirements prescribed by the UNI EN 1329-1:2021 standard relating to low and high temperature drainage systems within the structure of buildings. The material complies with the AFNOR NF513 (Sécurité Feu) regulation certified by LNE.

