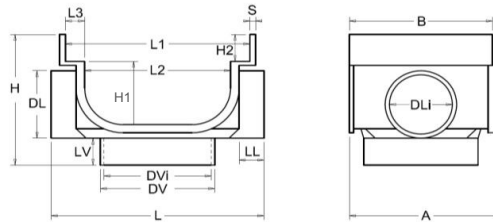
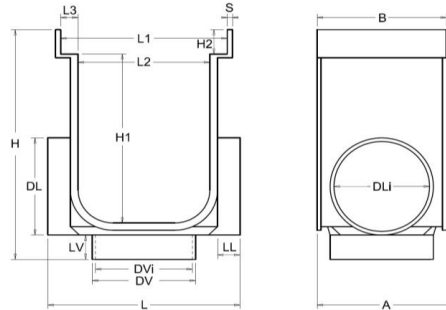


## Running outlet for drainage channel 200 PRATIKO

CBGS200



CAGS200



Description	U/M	Item	
		CBGS200	CAGS200
Weight	g	540	680
Total length "A"	mm	219	219
Useful length "B"	mm	200	200
Side outlet external diameter "DL"	mm	80M	125M
Side outlet internal diameter "DLi"	mm	75F	118F
Vertical outlet external diameter "DV"	mm	80M-125M	125M
External diameter side exhaust "DVi"	mm	75F	118F
Total height "H"	mm	134	204
Water passage height "H1"	mm	85	155
Grate's lodging height "H2"	mm	20	20
Total width "L"	mm	220	220
Internal width "L1"	mm	200	200
Water passage width "L2"	mm	158	168
Grate's lodging width "L3"	mm	20	20
Side outlet depth "LL"	mm	28	25
Vertical outlet depth "LV"	mm		
Edge thickness "S"	mm	3,5	3,5

Material: PVC-U

Features: The drains are equipped with pre-fracture lines to allow opening with tools

