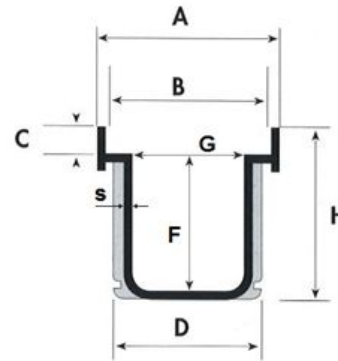
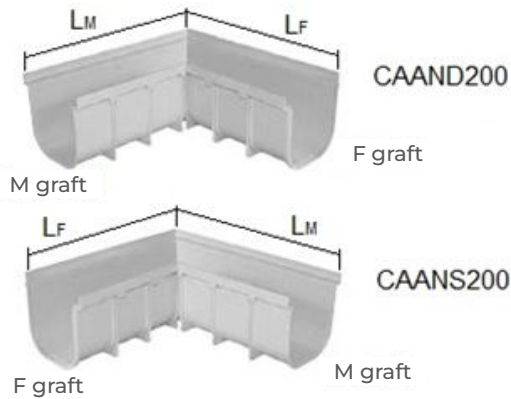
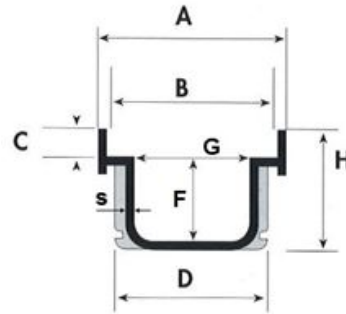
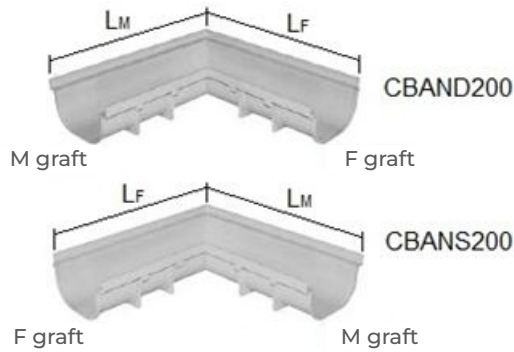


## Right and left angle for drainage channel 200 **PRATIKO**



Item	A mm	B mm	C mm	D mm	F mm	G mm	H mm	S mm	LF mm	LM mm	Weight g
<b>CBAND200</b>	205	199	20	175	78	163	114	3,2	490	490	1676
<b>CBANS200</b>	205	199	20	175	78	163	114	3,2	490	490	1676
<b>CAAND200</b>	205	199	20	175	148	163	181	3,2	490	490	2100
<b>CAANS200</b>	205	199	20	175	148	163	181	3,2	490	490	2100

**Material:** PVC-U

**Colour:** Light grey

**Features:** The angle is made up of two pieces of PratiKo 200 channel cut and welded together to form a right angle. LF and LM lengths may vary by several millimeters from the nominal dimension given in the table.

