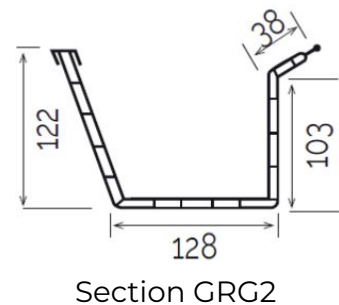
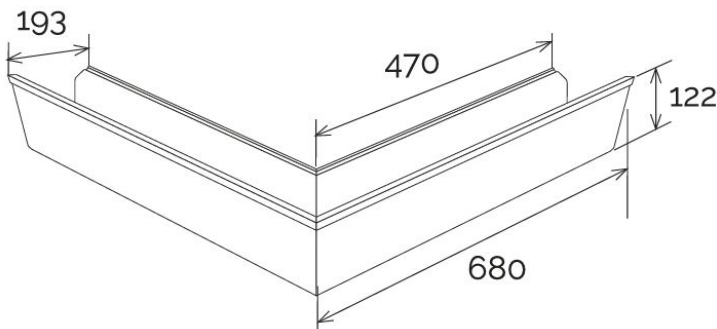


Interior angle for double-walled gutter profile G2 **GROND PLAST**



Item	Colour	length mm	width mm	height mm	Matched gutter profile
AIG2	brown	680	680	122	GRG240

Material: PVC-U

Features: The angle must be glued to gutter profiles using the appropriate joints. Clean the surfaces, then use PVC sealant glue (COFxxx).

