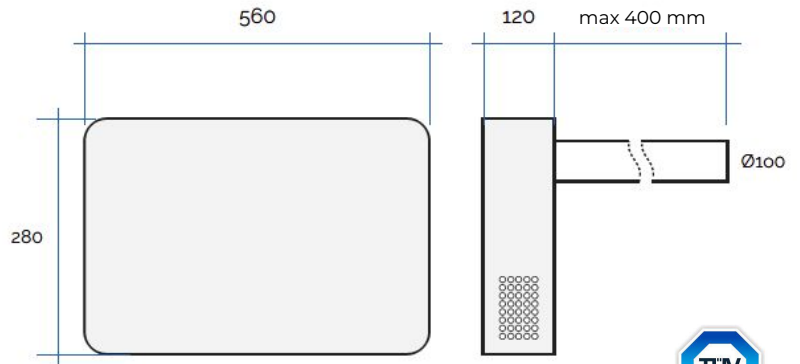


Fresh air enthalpy heat recovery unit

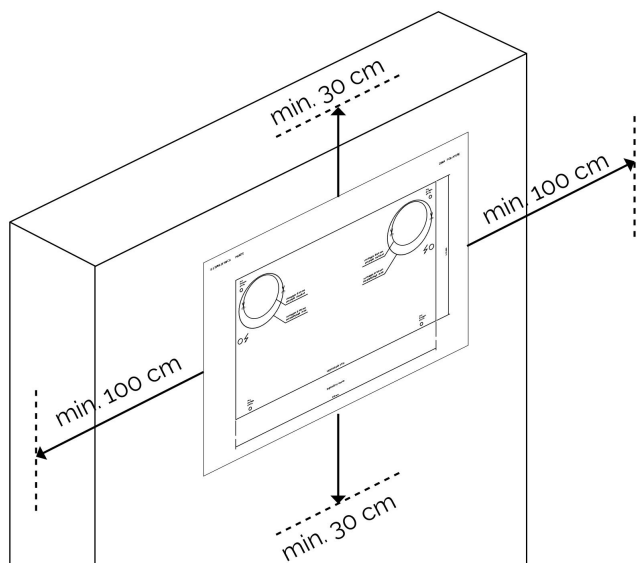
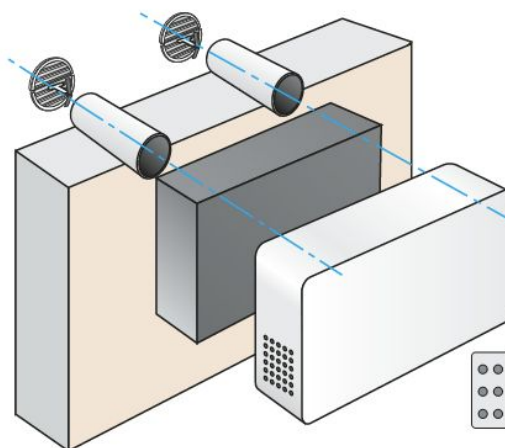
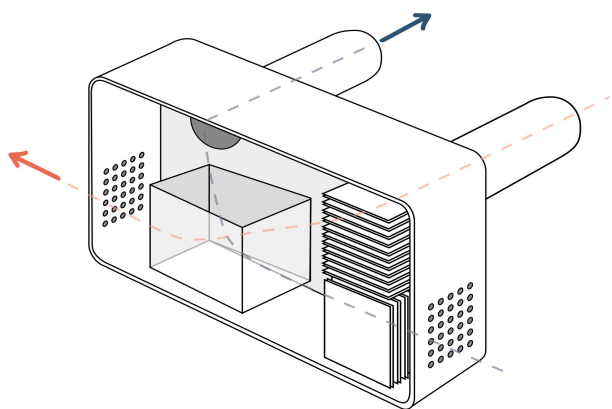


Item	Colour	Weight kg	Voltage / Operating voltage V	Absorbed current max A	Heat recovery efficiency %	Acoustic abatement of facade dB	Hygrometric sensor	Modbus
EVO1	white	3	230 AC / 24 DC	0.17	91	45	✓	✓

Air flow regulation stage	Air flow m ³ /h	Power consumption w	Specific power w/m ³ /h	Sound power dB (A)	Sound pressure dB (A)
1	10	3.6	0.35	29.5	18.0
2	17	5.5	0.32	34.9	23.4
3	26	9	0.35	42	30.5
4	37	17.5	0.49	50.7	39.2
hyperventilation	42	20	0.48	-	-

Description: Air enthalpy heat recovery unit EVOECO

Features: EVOECO is an advanced and ecological indoor air exchange system which eliminates pollen, dust, stale air and other polluting substances thanks to the presence of its purifying filter, renewing and purifying the air indoors, eliminating humidity and avoiding the formation of mold. It has up to 4 stages of air flow regulation plus hyperventilation. It is able to recover up to 91% of the heat by means of a countercurrent cross-flow enthalpy exchanger. EVOECO is complete with: integrated setting and control panel, hygrometric sensor, predisposition for connection to home automation systems (Modbus), filter art. F7G2. It is TÜV certified according to the EN 13141-8 standard. Recommended for living environments up to 90 m³ (~ 30 m²).



Contents of the package:

- 1 EVOECO unit and its filter (item F7G2)
- 1 installation template
- 1 infrared remote control
- 2 PVC pipes \varnothing 100 mm, length 50 cm
- 2 foldable plastic grilles with springs (item DFR140B)

Placement:

both vertically and horizontally. Please follow the instructions in the template (inside the package).



Item	Filtration level (EN 779:2012)		Filtration level (EN ISO 16890)
	input	output	
F7G2	F7+G4	G2	ePM _{2,5} =65%

Description:

Filter for enthalpy heat recovery unit EVOECO

Features:

Before being introduced into the rooms, the external air is filtered by the filter, capable of stopping fine particles such as PM₁₀ and PM_{2.5}, pollen and other pollutants harmful to health. Replacing the filter every year is recommended (variable time depending on the installation environment).

