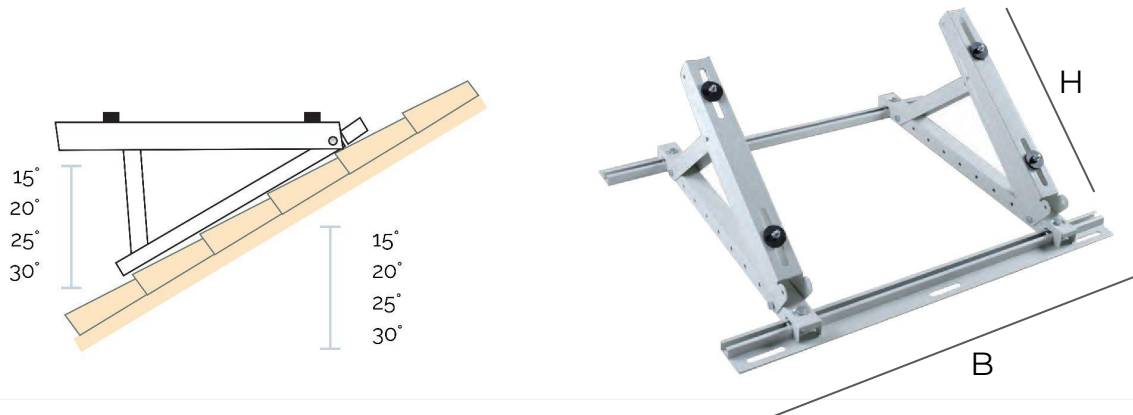


Roof mounted brackets



| Item | Colour | Dimensions B x H mm | Load capacity kg |
|----------------|--------|------------------------|---------------------|
| EPST480 | white | 850x520 | 120 |

Description: Adjustable roof bracket for outdoor unit

Features: The adjustable roof bracket adapts to slopes from 15° up to 30°, guaranteeing maximum stability in every situation.

The load capacity for the bracket is certified

- Load capacity at 15° = 80 kg.
- Load capacity at 20° = 100 kg.
- Load capacity at 25° = 120 kg.
- Load capacity at 30° = 150 kg.

