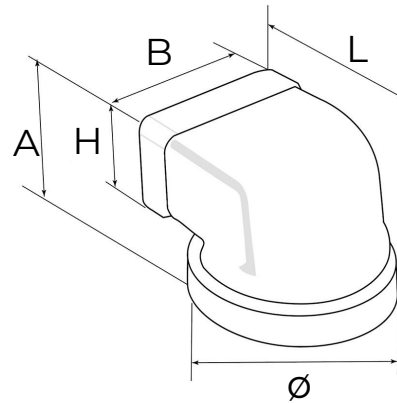


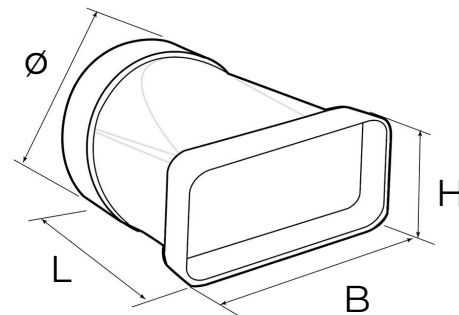
RANGE 100 fire retardant duct system



CGVNF126B



CGONF112B



Item	Colour	BxH mm	Section ϕ mm	L mm	A mm
CGVNF126B	white	120x60	100	123	83
CGONF112B	white	150x70	125	178	98

Description: Connector flat/round for NO-FIRE duct system

Material: Self-extinguishing ABS plastic

Features: The bend and the joint with FF inlets allow you to go from a round tube to a rectangular one (and vice versa). They are part of the RANGE 100 fire retardant duct system. The product is self-extinguishing and has been certified "Fire resistance class 1", according to the UNI 9177:2008 regulation. The NO-FIRE line can be used in works for which the safety requirement in the event of fire is prescribed (schools, hospitals, public buildings and hotels) as indicated by the Ministerial Decree. 10-03-2005 on fire reaction classes for construction products.

