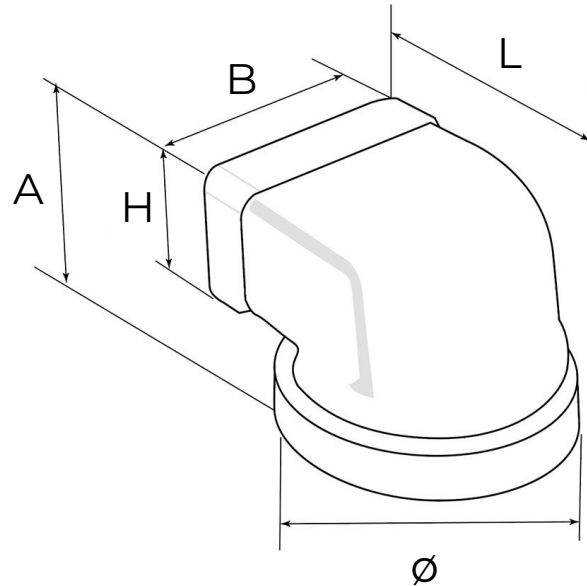


Steel effect duct system



Item	Colour	BxH mm	Section \varnothing mm	L mm	A mm
CGV126AC	steel	120x60	100	123	83
CGV157AC	steel	150x70	125	178	98

Description: 90° corner flat/round

Material: ABS plastic

Features: The vertical corner with FF inlets allows you to pass from one round tube to a rectangular one (and vice versa). It is part of the ducted ventilation system which allows rapid evacuation of vapors (max 80°C) and unpleasant odors from environments such as kitchens or bathrooms and a healthy exchange of air.

