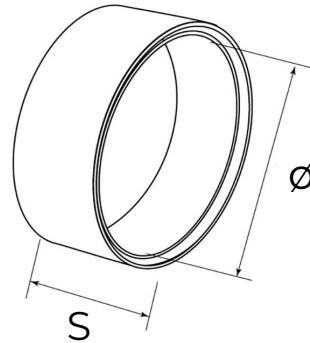


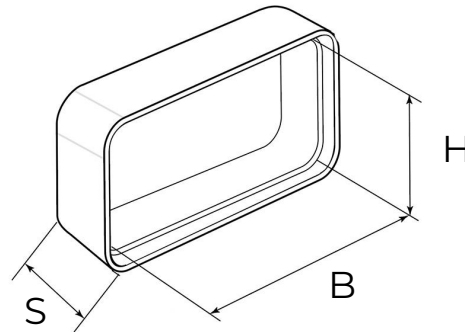
Steel effect duct system



CG100AC
CG125AC



CG126AC
CG157AC



Item	Colour	BxH mm	Section ø mm	S mm
CG100AC	steel	-	100	40
CG125AC	steel	-	125	52
CG126AC	steel	120x60	-	40
CG157AC	steel	150x70	-	52

Description: Duct FF connector

Material: ABS plastic

Features: The joint with FF inlets allows you to connect two pipes. It is suitable for cold and hot air ducts with a maximum temperature of 80 degrees Celsius. It is part of the ducted ventilation system which allows rapid evacuation of vapors (max 80°C) and unpleasant odors from environments such as the kitchen or bathrooms and a healthy exchange of air.

