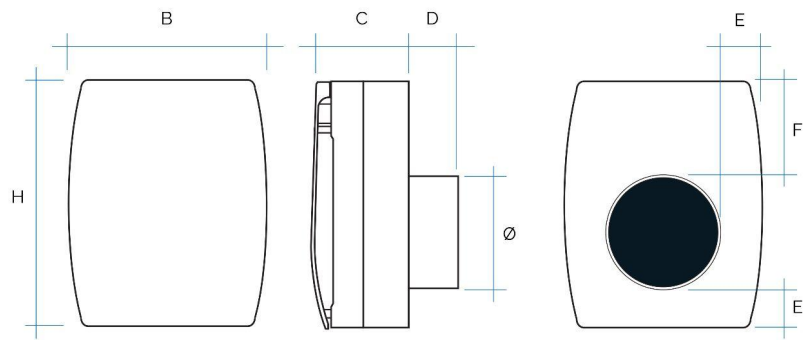


Centrifugal fans



CENTRIX10



DIMENSIONS mm					
Model	C	D	Ø	E	F
CENTRIX10	90	45	97	30	67
CENTRIX12	105	68	121	30	72



Motor with ball bearings



Backdraft damper



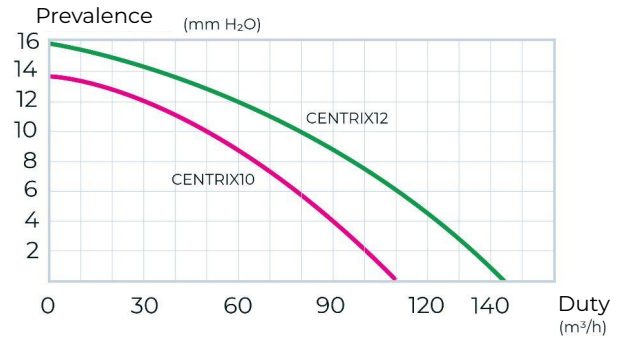
Insulation class II

IPX4



230 V/
50HZ

Flow rate curve



Item	Colour	BxH mm	Air flow m³/h	P watt	Noise dB	Ø Hole mm
CENTRIX10	white	161x193	110	30	35	100/4"
CENTRIX12	white	181x223	145	36	42	120/5"

Description:

Wall or ceiling mounted centrifugal extractor CENTRIX

Material:

ABS plastic

Features:

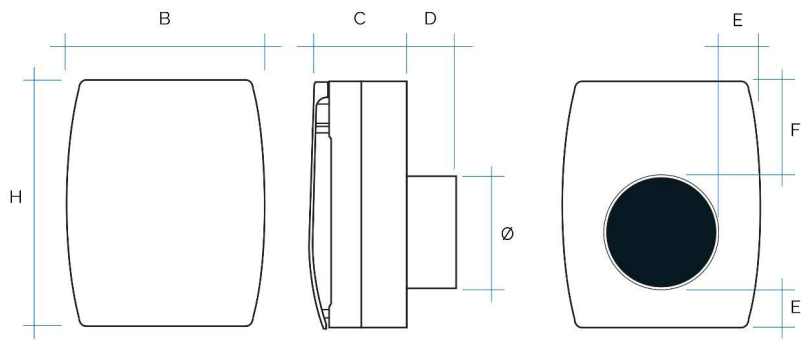
The CENTRIX centrifugal electric extractor can be installed on both the wall and the ceiling, and can move low volumes of air at high pressure. These aspirators are used when the air must pass through long vertical and horizontal extraction ducts before reaching the outside.



Centrifugal fans



CENTRIX10



DIMENSIONS mm					
Model	C	D	Ø	E	F
CENTRIX10	90	45	97	30	67
CENTRIX12	105	68	121	30	72



Motor with ball bearings



Backdraft damper



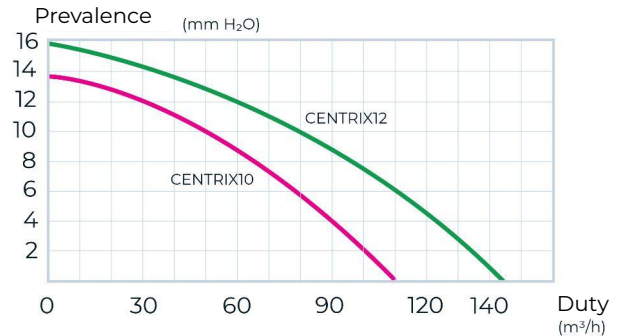
Insulation class II

IPX4



230 V/
50HZ

Flow rate curve



Item	Colour	BxH mm	Air flow m ³ /h	P watt	Noise dB	Ø Hole mm
CENTRIX10T	white	161x193	110	30	35	100/4"

Description: Wall or ceiling mounted centrifugal extractor CENTRIX with timer

Material: ABS plastic

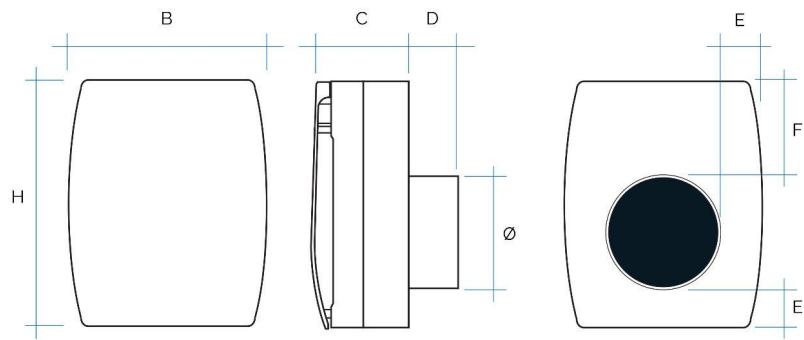
Features: The CENTRIX centrifugal electric extractor is complete with an adjustable timer from 1' to 25' min. It can be installed both on the wall and on the ceiling, and can move low volumes of air at high pressure. These aspirators are used when the air must pass through long vertical and horizontal extraction ducts before reaching the outside.



Centrifugal fans



CENTRIX10



DIMENSIONS mm					
Model	C	D	Ø	E	F
CENTRIX10	90	45	97	30	67
CENTRIX12	105	68	121	30	72



Motor with ball bearings



Backdraft damper



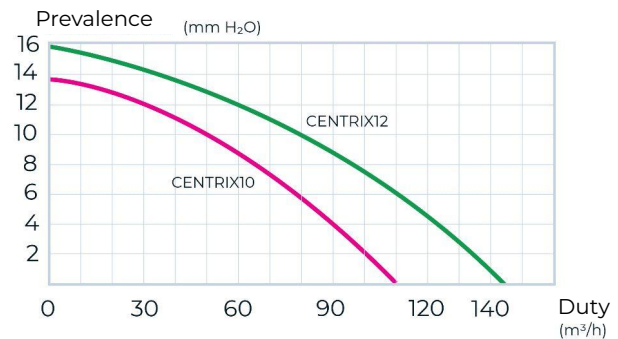
Insulation class II

IPX4



230 V/
50HZ

Flow rate curve



Item	Colour	BxH mm	Air flow m³/h	P watt	Noise dB	Ø Hole mm
CENTRIX10TH	white	161x193	110	30	35	100/4"

Description: Wall or ceiling mounted centrifugal extractor CENTRIX with timer and hygrometer

Material: ABS plastic

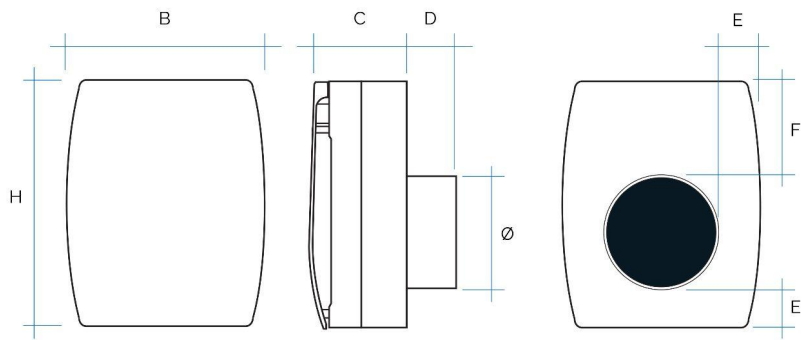
Features: The CENTRIX centrifugal electric extractor is complete with an adjustable timer from 1' to 25' min, and a hygrometer for humidity from 40% to 100%. It can be installed on both walls and ceilings, and can move low volumes of air at high pressure. These aspirators are used when the air must pass through long vertical and horizontal extraction ducts before reaching the outside.



Centrifugal fans



CENTRIX10



DIMENSIONS mm					
Model	C	D	Ø	E	F
CENTRIX10	90	45	97	30	67
CENTRIX12	105	68	121	30	72



Motor with ball bearings



Backdraft damper



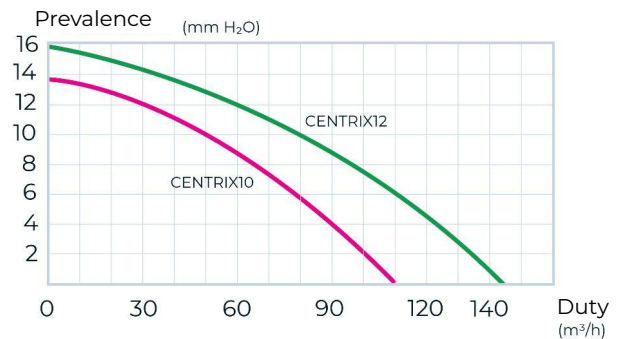
Insulation class II

IPX4



230 V/
50HZ

Flow rate curve



Item	Colour	BxH mm	Air flow m³/h	P watt	Noise dB	Ø Hole mm
CENTRIX10PIR	white	161x193	110	30	35	100/4"

Description: Wall or ceiling mounted centrifugal extractor CENTRIX with infrared control

Material: ABS plastic

Features: The CENTRIX centrifugal extractor is complete with an infrared control adjustable from 1 to 5 m which switches on by proximity and remains activated for the set time. It can be installed on both walls and ceilings, and can move low volumes of air at high pressure. These aspirators are used when the air must pass through long vertical and horizontal extraction ducts before reaching the outside.

