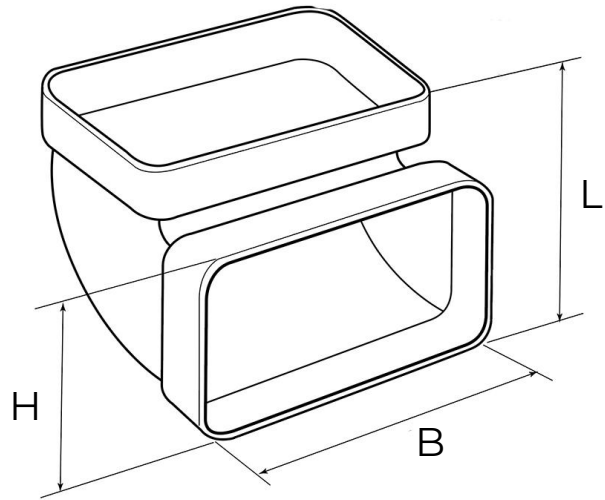


White duct system



Item	Colour	BxH mm	L mm
CCV126B	white	120x60	83
CCV157B	white	150x70	98
CCV229B	white	220x90	115

Description: 90° flat vertical corner FF

Material: ABS plastic

Features: The vertical bend with FF inlets for rectangular pipes is part of the ducted ventilation system which allows rapid evacuation of vapors (max 80°C) and unpleasant odors from environments such as kitchens or bathrooms and a healthy exchange of air.

