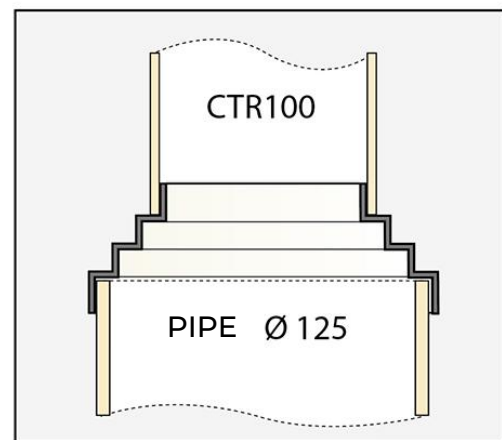
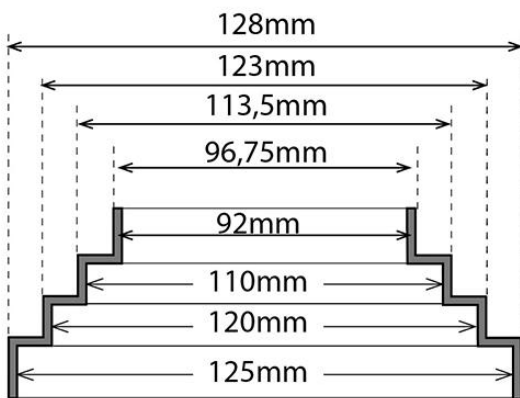
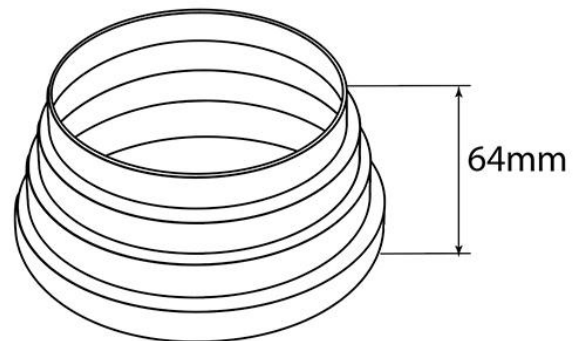


## Steel effect duct system

Step reducer MF  $\varnothing$  125-100 mm for pipes without socket



**CRC96AC**



**Description:** Step reducer for pipes without socket

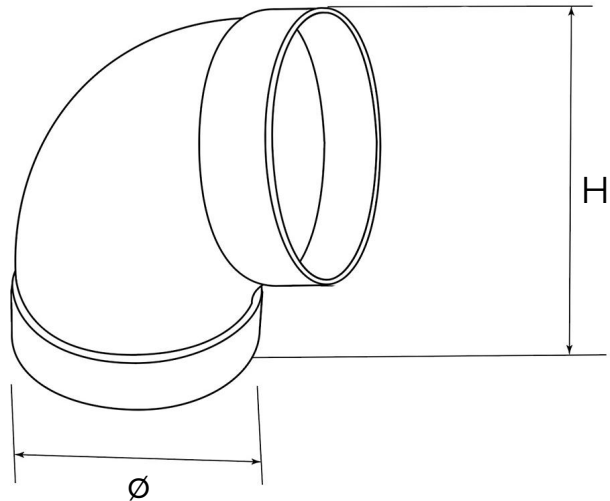
**Material:** ABS plastic

**Colour:** Steel

**Features:** The reduction cone allows you to switch from one pipe diameter to another without having to cut anything. The cone is part of the ducted ventilation system which allows rapid evacuation of vapors (max 80°C) and unpleasant odors from environments such as the kitchen or bathrooms and a healthy exchange of air.



## Steel effect duct system



Item	Colour	Curve degrees	Section $\varnothing$ mm	H mm
<b>CCR100AC</b>	steel	90°	100	123
<b>CCR125AC</b>	steel	90°	125	154

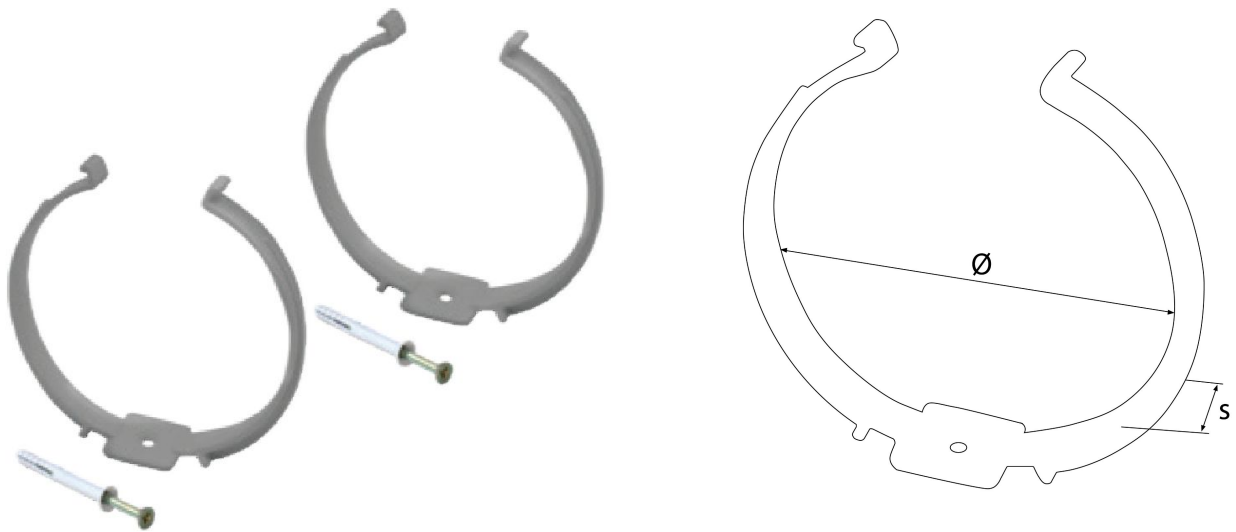
**Description:** 90° round bend FF

**Material:** ABS plastic

**Features:** Bend with FF inlets useful for directing the ducting in case of necessity. It is part of the ducted ventilation system which allows rapid evacuation of vapors (max 80°C) and unpleasant odors from environments such as the kitchen or bathrooms and a healthy exchange of air.



## Steel effect duct system



Compliant with UNI EN 7129-3:2015 regulation of "exhalation channels" for cooker hoods.

Item	Colour	Ø mm	S mm	Screws and plugs
STVC2100AC	steel	100	12	✓
STVC2125AC	steel	125	14	✓

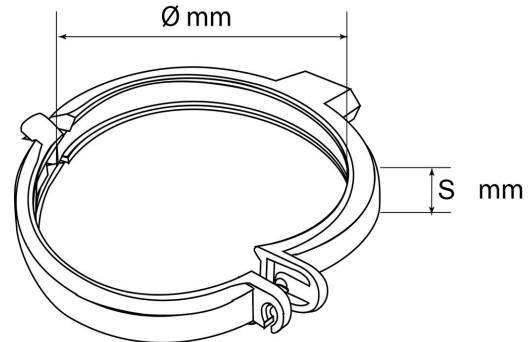
**Description:** 2 round pipe brackets with screws and plugs

**Material:** ABS plastic

**Features:** The round pipe holder brackets are complete with 5x45 cm screws and plugs for fixing. They are part of the ducted ventilation system which allows a rapid evacuation of vapors (max 80°C) and unpleasant odors from environments such as the kitchen or bathrooms and a healthy exchange of air.



## Steel effect duct system



Item	Colour	Section $\varnothing$ mm	S mm	Screws and plugs
<b>STV2100AC</b>	steel	100	23	✓
<b>STV2125AC</b>	steel	125	21.5	✓

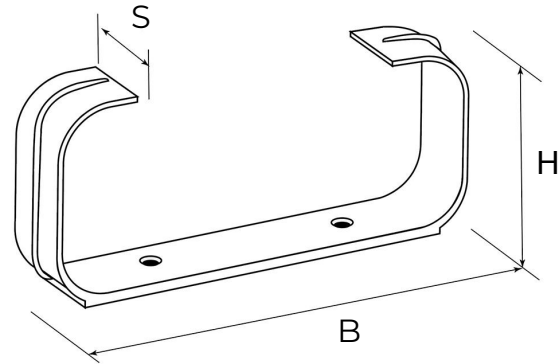
**Description:** Round pipe holder brackets with screws and plugs

**Material:** ABS plastic

**Features:** The pipe holder brackets are complete with 5x45 cm screws and plugs for fixing. They are part of the ducted ventilation system which allows rapid evacuation of vapors (max 80°C) and unpleasant odors from environments such as the kitchen or bathrooms and a healthy exchange of air.



## Steel effect duct system



Item	Colour	BxH mm	S mm	Screws and plugs
<b>STV2126AC</b>	steel	120x60	20	✓
<b>STV2157AC</b>	steel	150x70	22	✓

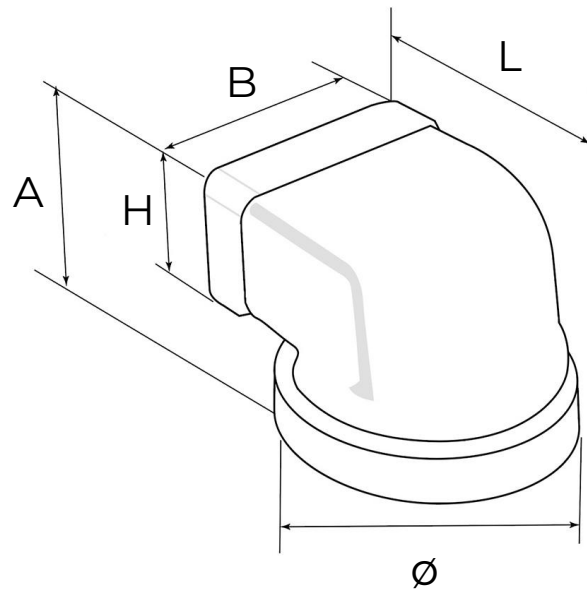
**Description:** Rectangular pipe holder brackets with screws and plugs

**Material:** ABS plastic

**Features:** The pipe holder brackets are complete with 5x45 cm screws and plugs for fixing. They are part of the ducted ventilation system which allows rapid evacuation of vapors (max 80°C) and unpleasant odors from environments such as the kitchen or bathrooms and a healthy exchange of air.



## Steel effect duct system



Item	Colour	BxH mm	Section $\varnothing$ mm	L mm	A mm
<b>CGV126AC</b>	steel	120x60	100	123	83
<b>CGV157AC</b>	steel	150x70	125	178	98

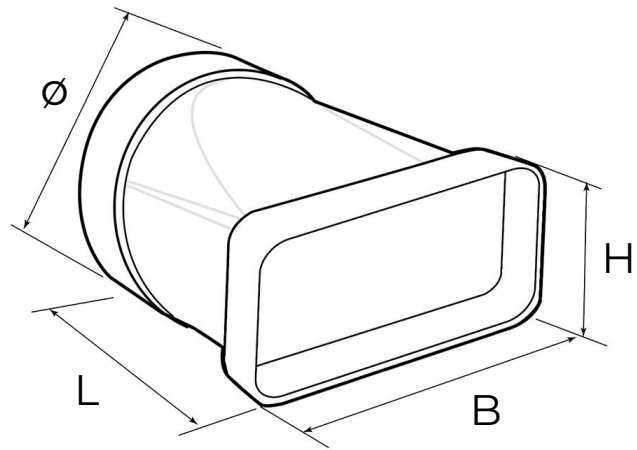
**Description:** 90° corner flat/round

**Material:** ABS plastic

**Features:** The vertical corner with FF inlets allows you to pass from one round tube to a rectangular one (and vice versa). It is part of the ducted ventilation system which allows rapid evacuation of vapors (max 80°C) and unpleasant odors from environments such as kitchens or bathrooms and a healthy exchange of air.



## Steel effect duct system



Item	Colour	BxH mm	Section $\varnothing$ mm	L mm
<b>CGO112AC</b>	steel	120x60	100	124
<b>CGO157AC</b>	steel	150x70	125	132

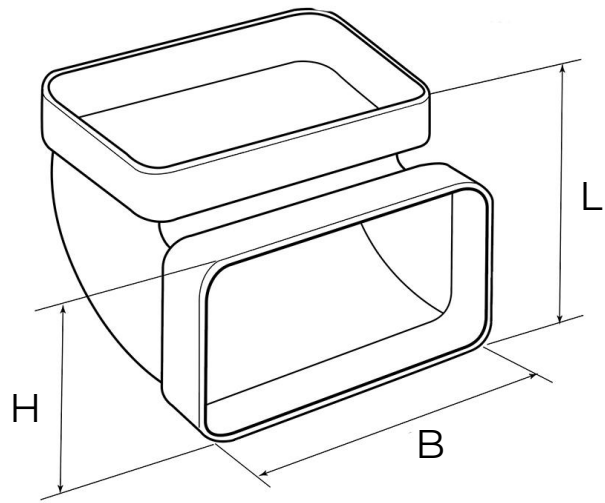
**Description:** Connector flat/round

**Material:** ABS plastic

**Features:** The horizontal connector with FF inlets allows you to go from a round tube to a rectangular one (and vice versa). It is part of the ducted ventilation system which allows rapid evacuation of vapors (max 80°C) and unpleasant odors from environments such as kitchens or bathrooms and a healthy exchange of air.



## Steel effect duct system



Item	Colour	BxH mm	L mm
<b>CCV126AC</b>	steel	120x60	83
<b>CCV157AC</b>	steel	150x70	98

**Description:** 90° flat vertical corner

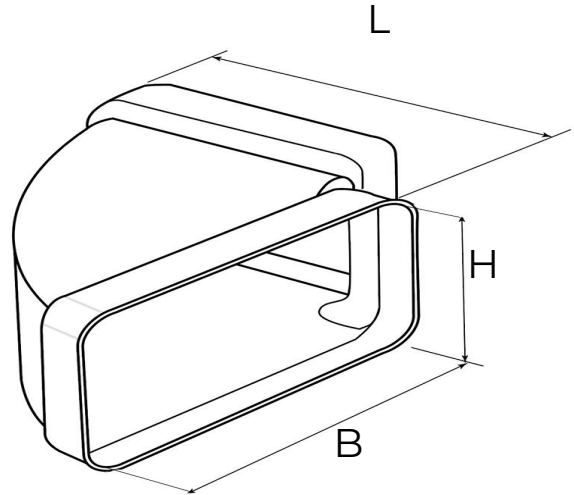
**Material:** ABS plastic

**Features:** The vertical corner with FF inlets for rectangular pipes is part of the ducted ventilation system which allows rapid evacuation of vapors (max 80°C) and unpleasant odors from environments such as kitchens or bathrooms and a healthy exchange of air.





## Steel effect duct system



Item	Colour	BxH mm	L mm
<b>CCO126AC</b>	steel	120x60	143
<b>CCO157AC</b>	steel	150x70	178

**Description:** 90° flat vertical corner

**Material:** ABS plastic

**Features:** The horizontal corner for rectangular pipes limits the pressure drop and dispersion of the air passage inside the ducting to a minimum. It is part of the ducted ventilation system which allows rapid evacuation of vapors (max 80°C) and unpleasant odors from environments such as kitchens or bathrooms and a healthy air exchange.

