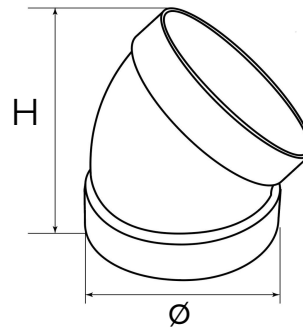


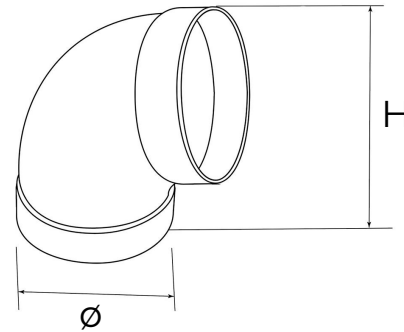
White duct system



45° round bend



90° round bend



Item	Colour	Curve degrees	Section \varnothing mm	H mm
CCR10045B	white	45°	100	109
CCR12545B	white	45°	125	135
CCR100B	white	90°	100	123
CCR125B	white	90°	125	154
CCR150B	white	90°	150 internal	179

Description: Round bend FF

Material: ABS plastic

Features: Bend with FF inlets useful for directing the ducting if necessary. It is part of the ducted ventilation system which allows a rapid evacuation of vapors (max 80°C) and unpleasant odors from environments such as the kitchen or bathrooms and a healthy exchange of air.

