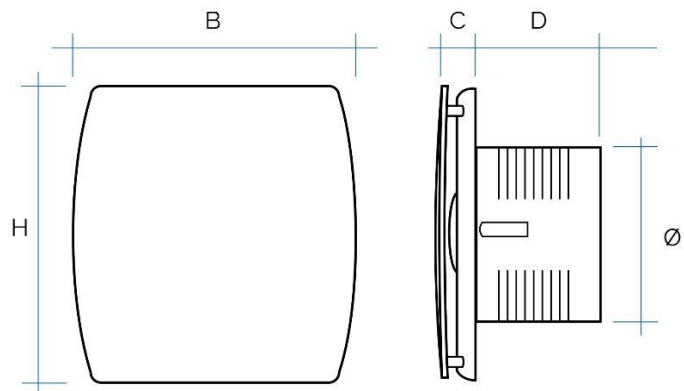
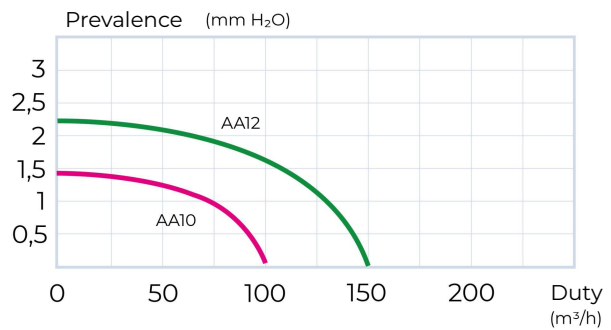


Helical extractors



Flow rate curve



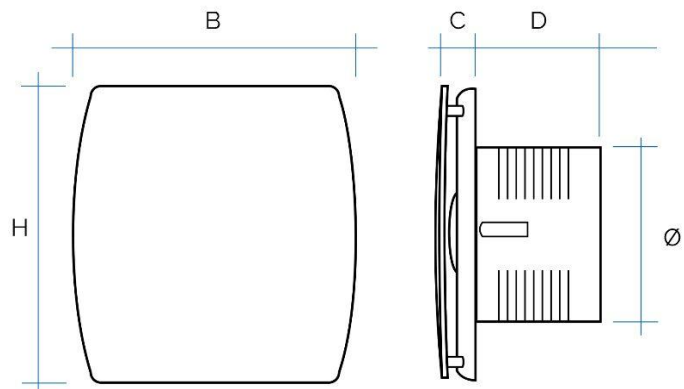
Item	Colour	BxH mm	Ø Hole mm	P watt	Air flow m ³ /h	Noise dB	C mm	D mm	Ø mm
AA10B	white	150x150	100/4"	15	98	33	34	78	98
AA12B	white	170x170	120/5"	20	138	35	32	100	118

Description: Wall-mounted helical extractor

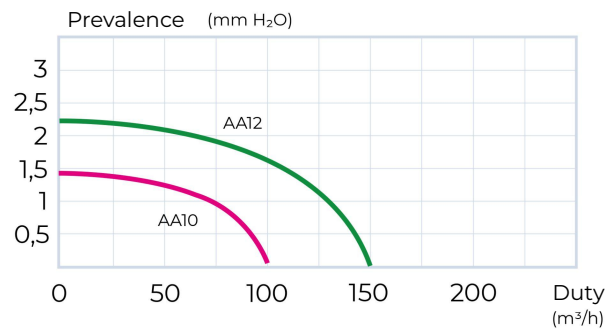
Features: The helical aspirator is a simple and versatile solution to solve the problem of air exchange for a certain type of domestic environment, such as service bathrooms or laundry rooms. Helical extractors are suitable for direct wall outlet or for installations where it is not necessary to flow the air on very long distances through the ducts.



Helical extractors



Flow rate curve



Item	Colour	BxH mm	Ø Hole mm	P watt	Air flow m ³ /h	Noise dB	C mm	D mm	Ø mm
AA10IN	inox 304	150x150	100/4"	15	98	33	34	78	98
AA12IN	inox 304	170x170	120/5"	20	138	35	32	100	118

Description: Wall-mounted helical extractor

Features: The helical aspirator is a simple and versatile solution to solve the problem of air exchange for a certain type of domestic environment, such as service bathrooms or laundry rooms. Helical extractors are suitable for direct wall outlet or for installations where it is not necessary to flow the air on very long distances through the ducts.

